

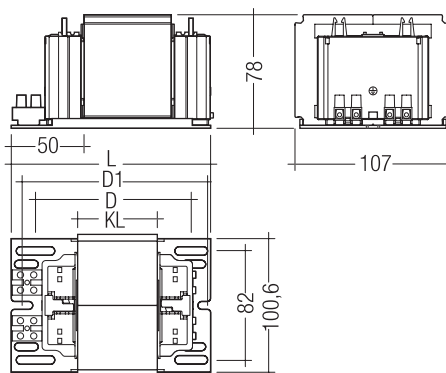
**OGLS 250 – 600 W Vario**  
High-pressure sodium and metal halide lamps

**Product description**

- Magnetic ballast
  - For sodium lamps and metal halide lamps
  - Chokes with reversible thermal cutout: trigger temperature 155 °C
  - Additional types on request
- For product data sheet go to [www.tridonic.com](http://www.tridonic.com), or available on request

**Technical data**

Max. winding temperature tw	130 °C
Screw terminal	1 – 6 mm <sup>2</sup>



Lamp matrix, page 8

Compensation matrix, page 23

Suitable ignitors, page 58

Wiring diagrams and installation examples, page 59

HID magnetic chokes

**Ordering data**

Type	Article number	Packaging, carton	Packaging, pallet	Weight per pcs.
<b>Ballasts in standard design</b>				
OGLIS 250 C044W 220-240/50 040V130PL	89121836	2 pieces	214 pieces	3.1 kg
OGLS 400 C044W 220-240/50 060V150	89121840	2 pieces	84 pieces	4.5 kg
OGL 400 C044K 220-240/50 040V130PL	89121845	2 pieces	168 pieces	3.1 kg
OGLS 600 A046W 380-415/50 080V170	89121976	1 pieces	84 pieces	5.4 kg
OGLS 600 C045W 220-240/50 100V185HL	89121968	56 pieces	56 pieces	6.7 kg
<b>Ballasts with power tapping</b>				
OGLS 250/150 C043W 230/240/50 060V150	89121864	2 pieces	168 pieces	4.5 kg
OGLS 400/250 W C043W 230/240/50 080V170	89121865	1 pieces	84 pieces	5.4 kg
<b>Ballasts with pulser tapping</b>				
OGLI 400 PC043W 230/240/50 050V140	89121866	1 pieces	84 pieces	3.5 kg
OGLS 400 PC043W 230/240/50 060V150HL	89121873	1 pieces	84 pieces	4.5 kg

**Specific technical data**

Lamp wattage	Lamp type	Rated lamp current	Type	Article number	Voltage	Mains frequency	EEI	Thermal protection	Length L	Fixing dimensions		Core length KL	ΔT	Losses
										Hole spacing D	Hole spacing D1			
<b>Ballasts in standard design</b>														
250 W	HS / HI	3.00 A	OGLIS 250 C044W	89121836	220 / 230 / 240 V	50 Hz	A2	yes	130 mm	110.5 – 124 mm	76.5 – 118 mm	40 mm	70 K	25.5 W
400 W	HS / HI	4.45 A	OGLS 400 C044W	89121840	220 / 230 / 240 V	50 Hz	A2	yes	150 mm	130.5 – 144 mm	96.5 – 138 mm	60 mm	70 K	30.0 W
400 W	HI	3.25 A	OGL 400 C044K	89121845	220 / 230 / 240 V	50 Hz	A2	no	130 mm	110.5 – 124 mm	76.5 – 118 mm	40 mm	75 K	25.1 W
600 W	HS	6.20 A	OGLS 600 A046W	89121976	380 / 400 / 415 V	50 Hz	–	yes	170 mm	150.5 – 164 mm	116.5 – 158 mm	80 mm	75 K	35.0 W
600 W	HS	6.20 A	OGLS 600 C045W	89121968	220 / 230 / 240 V	50 Hz	A2	yes	185 mm	165.5 – 179 mm	131.5 – 173 mm	100 mm	65 / 55 K	35.0 W
<b>Ballasts with power tapping</b>														
250 / 150 W	HS	3.00 / 1.8 A	OGLS 250/150 C043W	89121864	230 / 240 V	50 Hz	A2	yes	150 mm	130.5 – 144 mm	96.5 – 138 mm	60 mm	65 / 45 K	19.1 W
400 / 250 W	HS	4.45 / 3.0 A	OGLS 400/250 W C043W	89121865	230 / 240 V	50 Hz	A2	yes	170 mm	116.5 – 158 mm	150.5 – 164 mm	80 mm	65 / 45 K	31.9 / 19.1 W
<b>Ballasts with pulser tapping</b>														
400 W	HI	4.45 A	OGLI 400 PC043W	89121866	230 / 240 V	50 Hz	A2	yes	140 mm	120.5 – 134 mm	86.5 – 128 mm	50 mm	65 K	25.0 W
400 W	HS	4.45 A	OGLS 400 PC043W	89121873	230 / 240 V	50 Hz	A2	yes	150 mm	130.5 – 144 mm	96.5 – 138 mm	60 mm	70 K	30.0 W