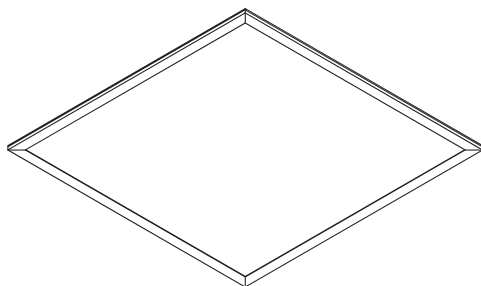
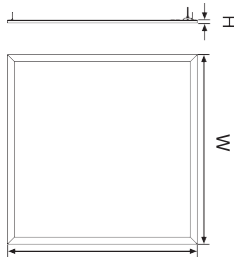


LED PANEL LIGHT



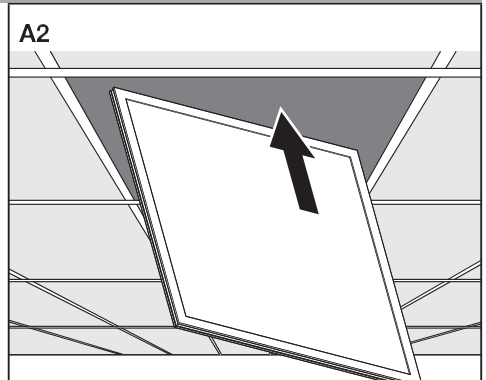
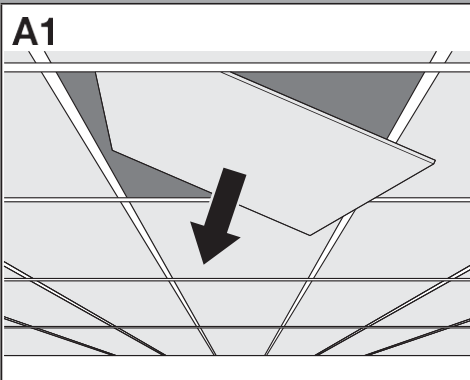
- Please read instruction carefully before assembling and installation
- Please keep instruction as reference in the future

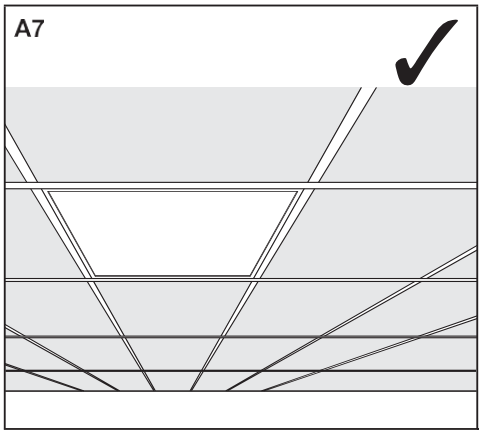
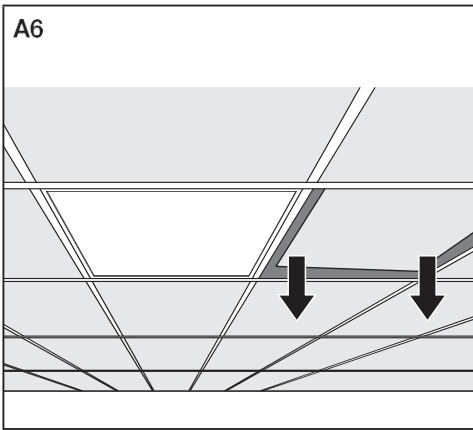
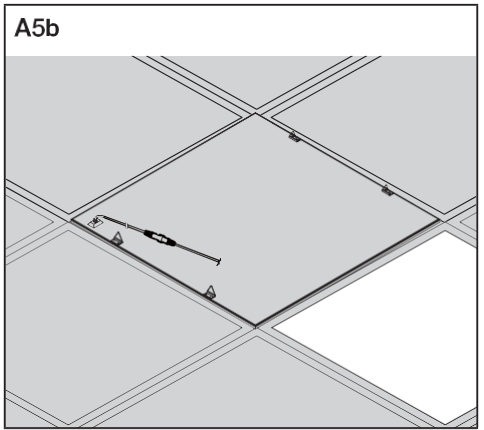
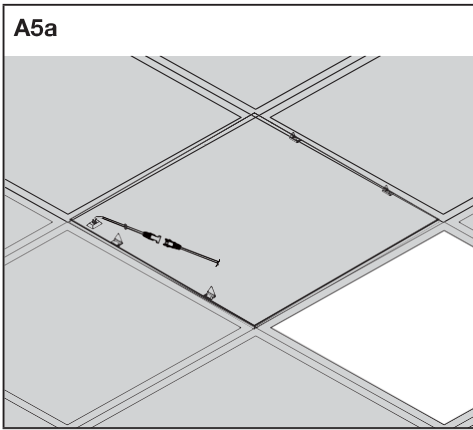
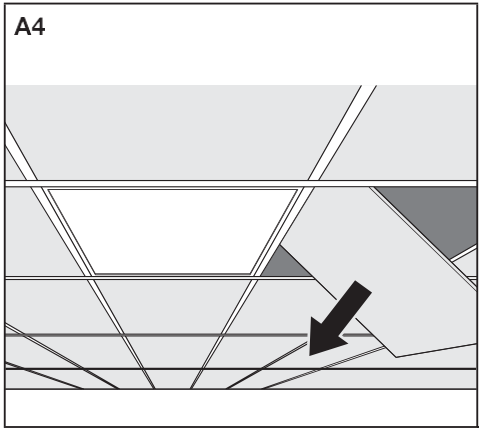
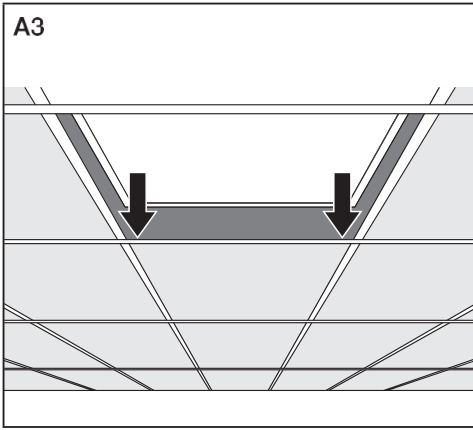
TRIDONIC



Tridonic article number	Material Description (short text)	Vrated	LxWxH (mm)
28002338	ELA G1 600x600mm 2800lm 830 SNC	34VDC	595x595x8.5
28002339	ELA G1 600x600mm 2800lm 840 SNC		
28002340	ELA G1 600x600mm 2800lm 865 SNC		
28002341	ELA G1 600x600mm 3800lm 830 SNC	40.5VDC	
28002342	ELA G1 600x600mm 3800lm 840 SNC		
28002343	ELA G1 600x600mm 3800lm 865 SNC		
28002344	ELA G1 625x625mm 2800lm 830 SNC	34VDC	620x620x8.5
28002345	ELA G1 625x625mm 2800lm 840 SNC	40.5VDC	
28002346	ELA G1 625x625mm 3800lm 830 SNC		
28002347	ELA G1 625x625mm 3800lm 840 SNC		
28002423	ELA G1 600x600mm 3800lm 830 SNC TPA	40.5VDC	595x595x8.5
28002424	ELA G1 600x600mm 3800lm 840 SNC TPA		

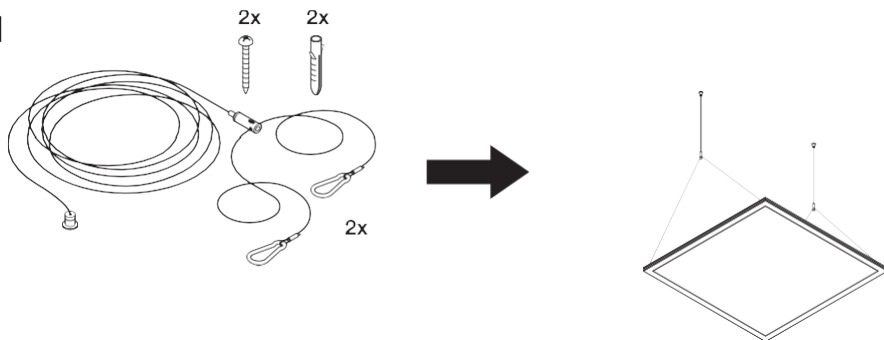
Recessed mount



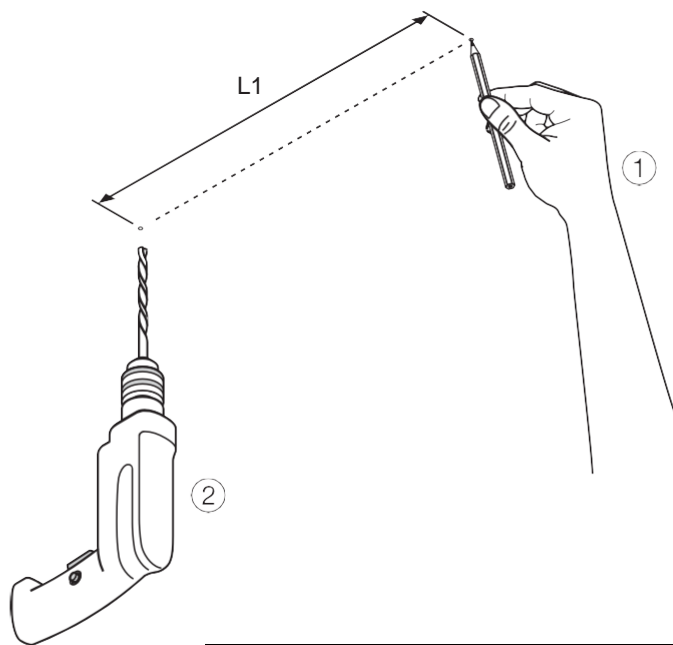


Suspension mount

B1

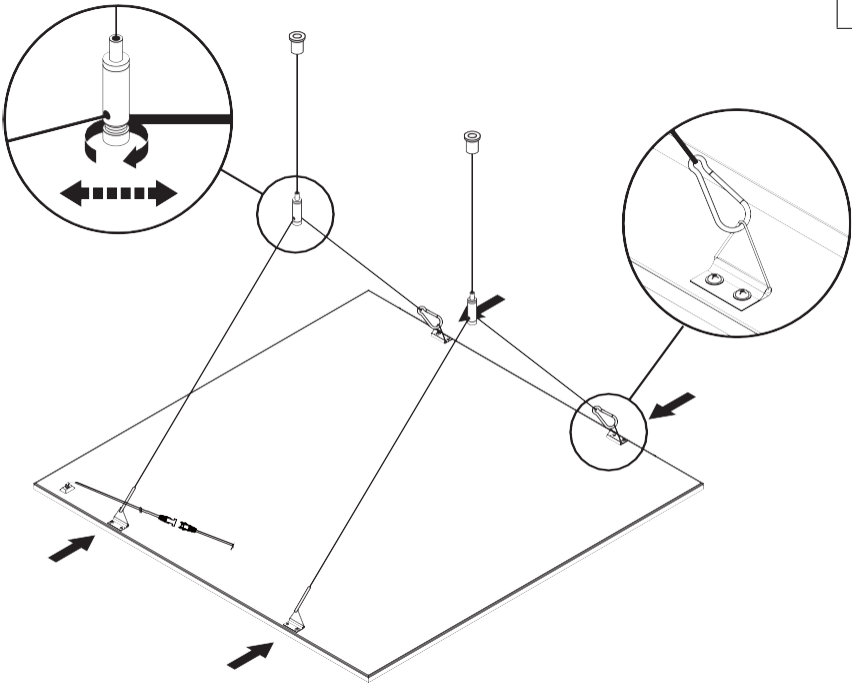


B2

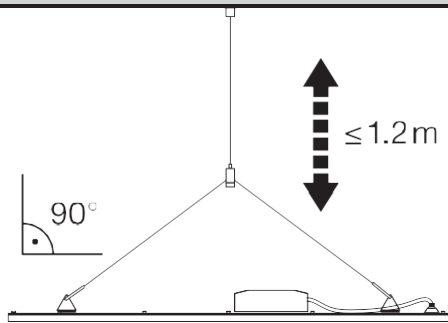


Tridonic article number	L1(mm)
ELA G1 600x600mm xxxl 8xx SNC	230
ELA G1 625x625mm xxxl 8xx SNC	255

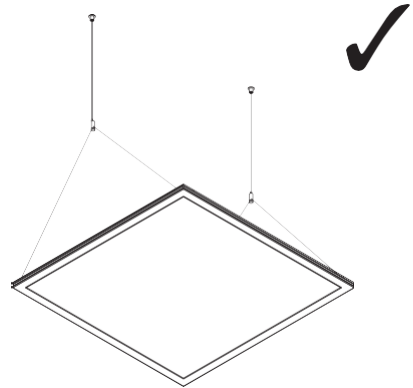
B3



B4

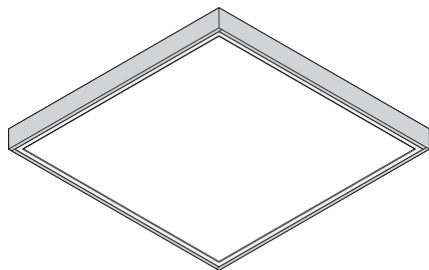


B5

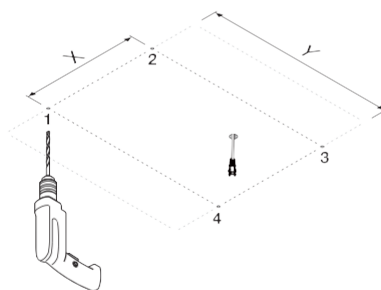
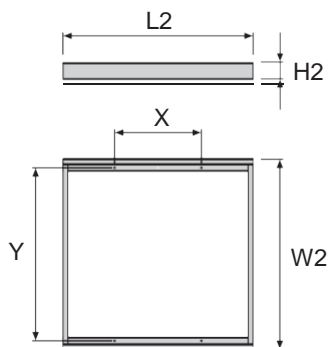
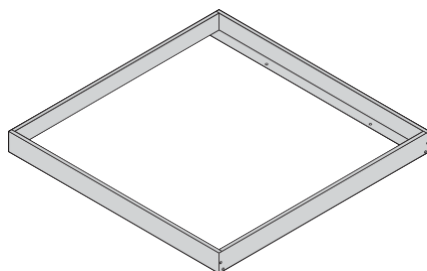


Surface mount

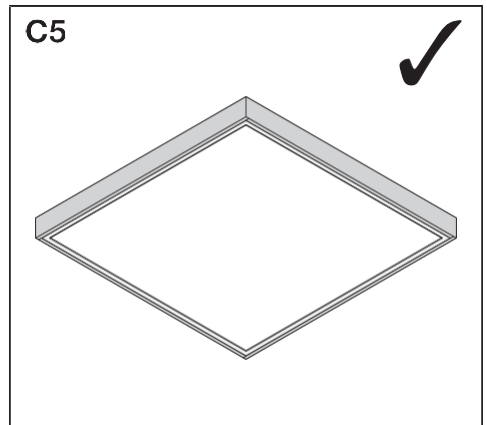
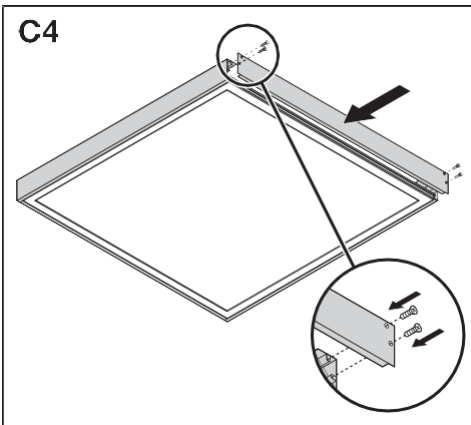
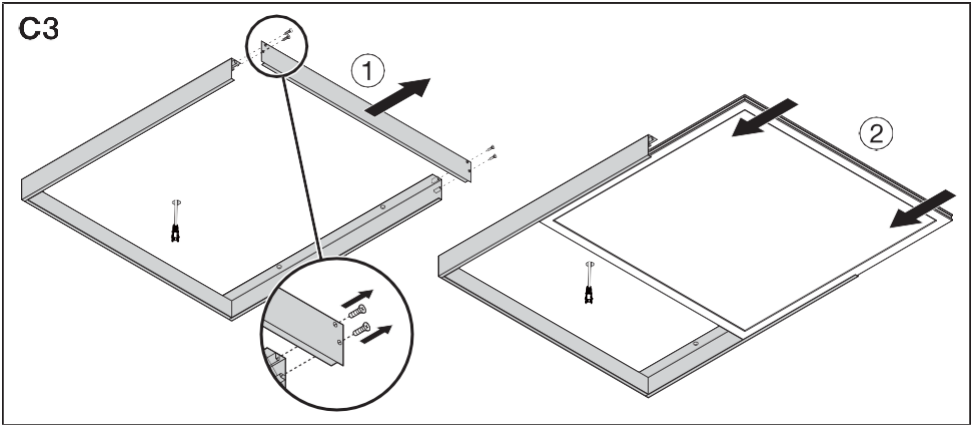
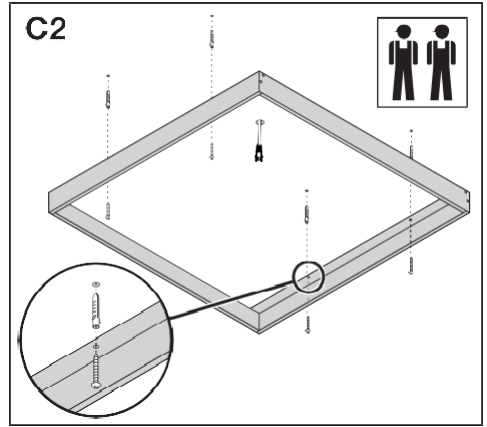
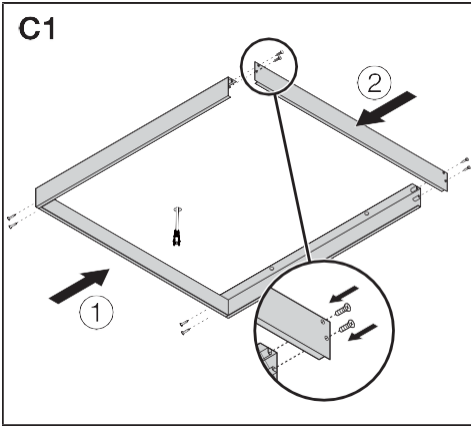
C



Accessories
not included

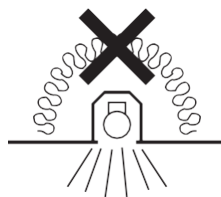


Tridonic article number	L2xW2xH2(mm)	X(mm)	Y(mm)
ELA G1 600x600mm xxxl 8xx SNC	601x601x45	280	575
ELA G1 625x625mm xxxl 8xx SNC	626x626x45	280	600



WARNING:

1. Ensure that any installation and maintenance be performed by a qualified electrician and that luminaire be wired in accordance with the latest IEE electrical regulations or the local equipments.
2. Ensure that the power supply is off before perform installation and maintenance and not switched on until the installation or maintenance complete.
3. The light source contained in this luminaire shall only be replaced by the manufacturer or his service agent or a similar qualified person.



The luminaire cannot be covered with thermal insulation matting or similar materials.



Caution: Risk of electric shock

4. When installing, please don't force on the luminous surface.
5. If the external flexible cord of this luminaire is damaged, it shall be exclusively replaced by the manufacturer or his service agent or a similar qualified person in order to avoid a hazard.



IP20



Tridonic GmbH & Co KG
Faerbergasse 15
6851 Dornbirn / Austria