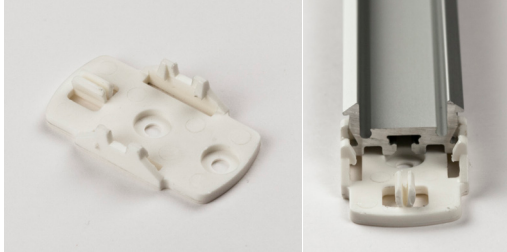


## MOUNT | Fixing Plates

## MOUNT | Fixing Plates

### III PLATE ECS 0° WITH STUDS



- Mounting plate for all linear engines with PROFILE Z201 / Z22W / Z40
- With studs to prevent sliding in the longitudinal direction
- Material: PBT
- Colour: white

#### III TECHNICAL DATA

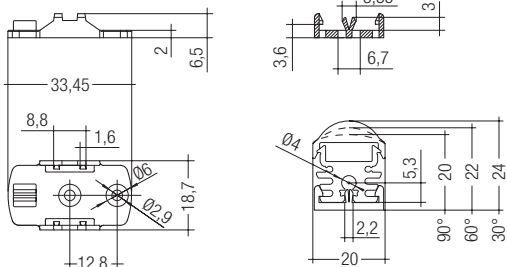
Ambient temperature finally installed -30 ... +80 °C

Ambient temperature during mounting the engine or the profile +10 ... +30 °C

Dimensions L x W x H 33.45 x 18.7 x 6.5 mm

Weight 0.002 kg

RoHS



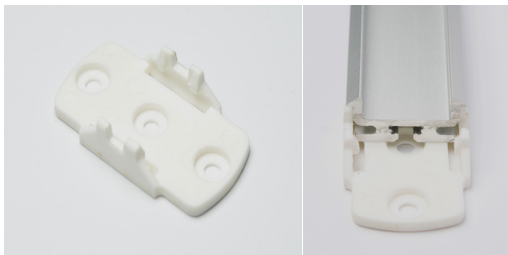
Size in mm

#### III ORDERING DATA - MOUNT | Plate ECS 0°

Type	Art. Nr.
LED FIXING PLATE ECS 0°	88166859

Packaging: 100 pieces/package, 2,000 pieces/carton

### III PLATE ECS 0° WITHOUT STUDS



- Mounting plate for all linear engines with PROFILE Z201 / Z22W / Z40
- Material: PBT
- Colour: white

#### III TECHNICAL DATA

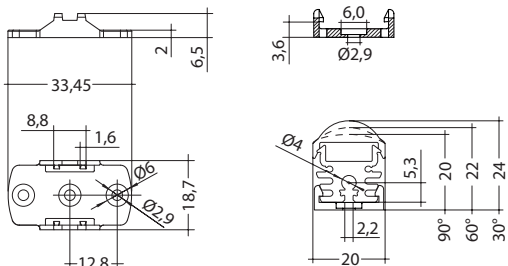
Ambient temperature finally installed -30 ... +80 °C

Ambient temperature during mounting the engine or the profile +10 ... +30 °C

Dimensions L x W x H 33.45 x 18.7 x 6.5 mm

Weight 0.002 kg

RoHS



Size in mm

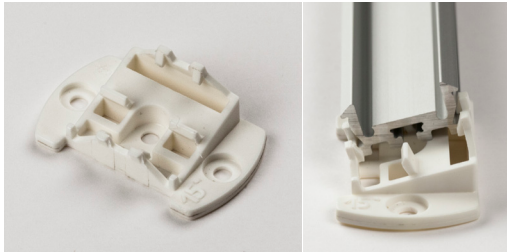
#### III ORDERING DATA - MOUNT | Plate ECS 0°

Type	Art. Nr.
LED Z161 FIXING PLATE ECS 0°	88712147

Packaging: 100 pieces/package, 2,000 pieces/carton

## MOUNT | Fixing Plates

### PLATE ECS 15°



- Mounting plate for all linear engines with PROFILE Z201 / Z22W / Z40
- With studs to prevent sliding in the longitudinal direction
- Material: PBT
- Colour: white

#### TECHNICAL DATA

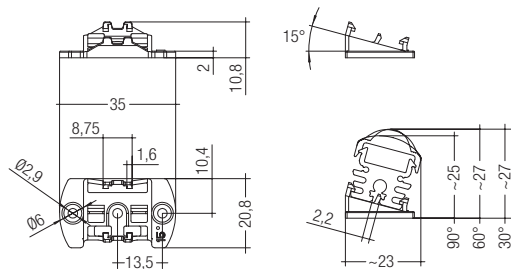
Ambient temperature finally installed -30 ... +80 °C

Ambient temperature during mounting the engine or the profile +10 ... +30 °C

Dimensions L x W x H 35 x 20.8 x 10.8 mm

Weight 0.002 kg

RoHS



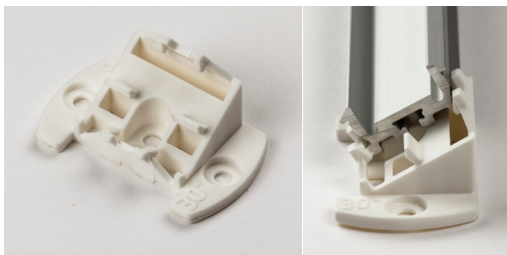
Size in mm

#### ORDERING DATA - MOUNT | Plate ECS 15°

Type	Art. Nr.
LED FIXING PLATE ECS 15°	88167372

Packaging: 50 pieces/package, 1,000 pieces/carton

### PLATE ECS 30°



- Mounting plate for all linear engines with PROFILE Z201 / Z22W / Z40
- With studs to prevent sliding in the longitudinal direction
- Material: PBT
- Colour: white

#### TECHNICAL DATA

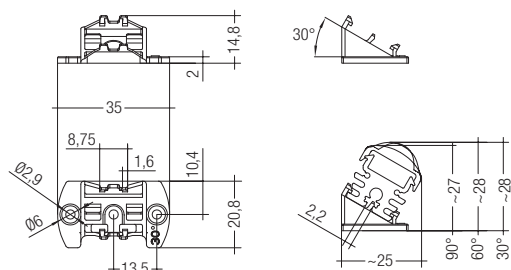
Ambient temperature finally installed -30 ... +80 °C

Ambient temperature during mounting the engine or the profile +10 ... +30 °C

Dimensions L x W x H 35 x 20.8 x 14.8 mm

Weight 0.002 kg

RoHS



Size in mm

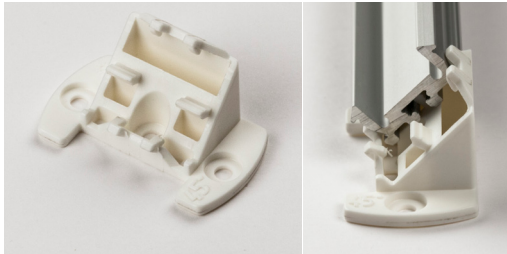
#### ORDERING DATA - MOUNT | Plate ECS 30°

Type	Art. Nr.
LED FIXING PLATE ECS 30°	88167373

Packaging: 50 pieces/package, 1,000 pieces/carton

## MOUNT | Fixing Plates

### PLATE ECS 45°



- Mounting plate for all linear engines with PROFILE Z201 / Z22W / Z40
- With studs to prevent sliding in the longitudinal direction
- Material: PBT
- Colour: white

#### TECHNICAL DATA

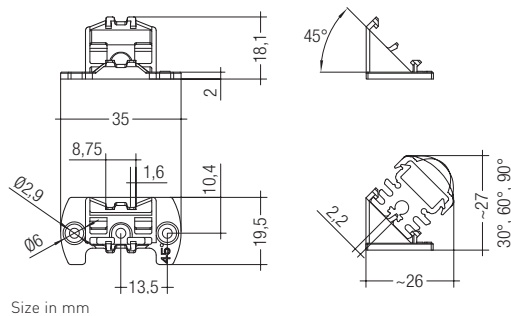
Ambient temperature finally installed -30 ... +80 °C

Ambient temperature during mounting the engine or the profile +10 ... +30 °C

Dimensions L x W x H 35 x 19,5 x 18,1 mm

Weight 0.002 kg

RoHS



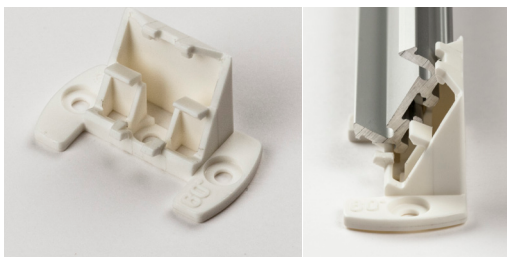
Size in mm

#### ORDERING DATA - MOUNT | Plate ECS 45°

Type	Art. Nr.
LED FIXING PLATE ECS 45°	88167374

Packaging: 50 pieces/carton, 1,000 pieces/carton

### PLATE ECS 60°



- Mounting plate for all linear engines with PROFILE Z201 / Z22W / Z40
- With studs to prevent sliding in the longitudinal direction
- Material: PBT
- Colour: white

#### TECHNICAL DATA

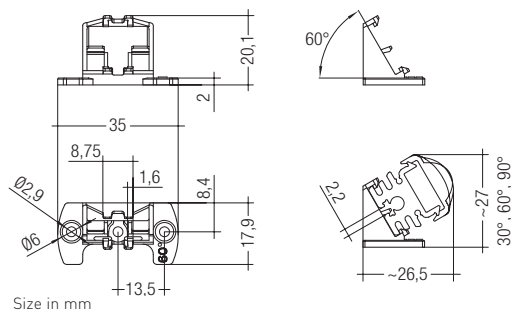
Ambient temperature finally installed -30 ... +80 °C

Ambient temperature during mounting the engine or the profile +10 ... +30 °C

Dimensions L x W x H 35 x 17,9 x 20,1 mm

Weight 0.002 kg

RoHS



Size in mm

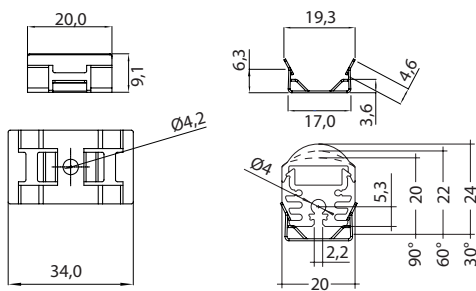
#### ORDERING DATA - MOUNT | Plate ECS 60°

Type	Art. Nr.
LED FIXING PLATE ECS 60°	88167375

Packaging: 50 pieces/packaging, 1,000 pieces/carton

## MOUNT | Fixing Plates

### PLATE METAL 0°



Size in mm

- Mounting plate for all linear engines with PROFILE Z201 / Z22W / Z40
- Material: Metal

### TECHNICAL DATA - MOUNT | Plate Metal 0°

Ambient temperature finally installed -30 ... +80 °C

Ambient temperature during mounting the engine or the profile +10 ... +30 °C

Dimensions L x W x H 34 x 20 x 9,1 mm

Weight 0,002 kg

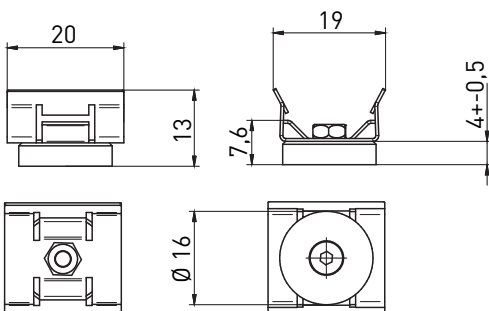
RoHS

### ORDERING DATA - MOUNT | Plate Metal 0°

Type	Art. Nr.
LED FIXING PLATE METAL 0°	88167376

Packaging: 50 pieces/package, 1,000 pieces/carton

### PLATE METAL 0° MAGNETIC



Size in mm

- Magnetic mounting plate for all linear engines with PROFILE Z201 / Z22W / Z40
- Material: Metal

### TECHNICAL DATA - MOUNT | Plate Metal 0° Magnetic

Ambient temperature finally installed -30 ... +80 °C

Ambient temperature during mounting the engine or the profile +10 ... +30 °C

Dimensions L x W x H 20 x 19 x 13 mm

Weight 0,009 kg

RoHS

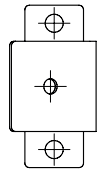
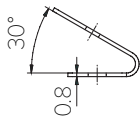
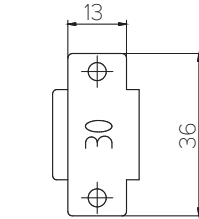
### ORDERING DATA - MOUNT | Plate Metal 0° Magnetic

Type	Art. Nr.
LED FIXING PLATE METAL 0° Magnetic	88167382

Packaging: 50 pieces/package, 1,000 pieces/carton

## MOUNT | Fixing Plates

### PLATE METAL 30°



Size in mm

- Mounting plate for all linear engines with PROFILE Z201 / Z22W / Z40
- Material: Metal

#### TECHNICAL DATA - MOUNT | Plate Metal 30°

Ambient temperature finally installed -30 ... +80 °C

Ambient temperature during mounting the engine or the profile +10 ... +30 °C

Dimensions L x W x H 36 x 13 x 23 mm

Weight 0,009 kg

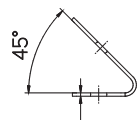
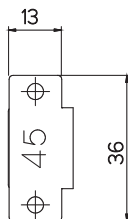
RoHS

#### ORDERING DATA - MOUNT | Plate Metal 30°

Type	Art. Nr.
LED METAL ANGLE ECS 30°	88167378

Packaging: 50 pieces/package, 1,000 pieces/carton

### PLATE METAL 45°



Size in mm

- Mounting plate for all linear engines with PROFILE Z201 / Z22W / Z40
- Material: Metal

#### TECHNICAL DATA - MOUNT | Plate Metal 45°

Ambient temperature finally installed -30 ... +80 °C

Ambient temperature during mounting the engine or the profile +10 ... +30 °C

Dimensions L x W x H 36 x 13 x 26 mm

Weight 0,009 kg

RoHS

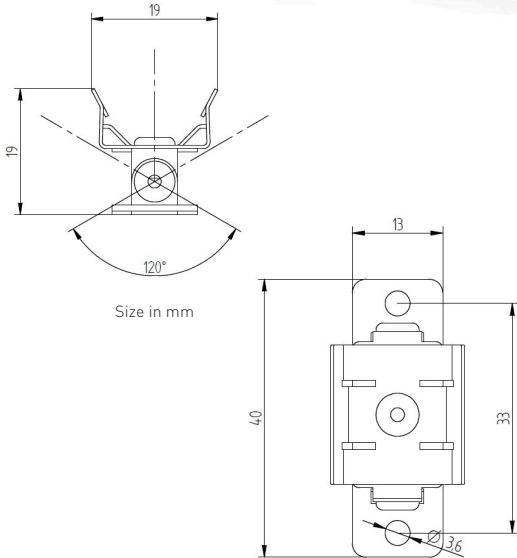
#### ORDERING DATA - MOUNT | Plate Metal 45°

Type	Art. Nr.
LED METAL ANGLE ECS 45°	88167379

Packaging: 50 pieces/package, 1,000 pieces/carton

## MOUNT | Fixing Plates

### PLATE METAL ADJUSTABLE



- Mounting plate for all linear engines with PROFILE Z201 / Z22W / Z40
- Material: Metal
- Angle adjustable -60° bis +60°

### TECHNICAL DATA - MOUNT | Plate Metal adjustable

Ambient temperature finally installed -30 ... +80 °C

Ambient temperature during mounting the engine or the profile +10 ... +30 °C

Dimensions L x W x H 40 x 19 x 19 mm

Weight 0,010 kg

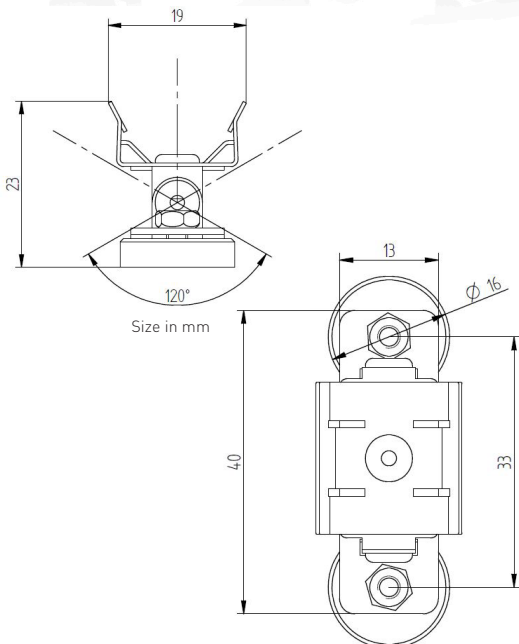
RoHS

### ORDERING DATA - MOUNT | Plate Metal adjustable

Type	Art. Nr.
LED FIXING PLATE METAL - adjustable	88167384

Packaging: 1,000 pieces/carton

### PLATE METAL ADJUSTABLE MAGNETIC



- Magnetic mounting plate for all linear engines with PROFILE Z201 / Z22W / Z40
- Material: Metal
- Angle adjustable -60° bis +60°

### TECHNICAL DATA - MOUNT | Plate Metal adjustable magnetic

Ambient temperature finally installed -30 ... +80 °C

Ambient temperature during mounting the engine or the profile +10 ... +30 °C

Dimensions L x W x H 49 x 19 x 23 mm

Weight 0,024 kg

RoHS

### ORDERING DATA - MOUNT | Plate Metal adjustable magnetic

Type	Art. Nr.
LED MAGNETIC PLATE METAL - adjustable	88167385

Packaging: 100 pieces/carton

### SHelf HOLDER



- Use: Below lower shelves
- Material: Plastic
- Angle: Preconfigured at 30° for optimal illumination of the goods on show below
- Fixing: Thanks to the support on the lower shelf display area, simple to install using the groove provided on the outer sides of the shelf holders (caution: left and right versions of the shelf holders)

### TECHNICAL DATA – SHELF HOLDER

Ambient temperature when fitted	-30 ... +30 °C
Ambient temperature when installing the light or profile	+10 ... +30 °C
Dimensions L x W x H	21 x 3.5 x 1.5 mm / complete shelf holder 21 x 8.5 x 1.5 mm
Weight	24 g (weight per pair 48g)

RoHS

### ORDERING DATA – SHELF HOLDER

Type	Art. Nr.
SHELF HOLDERS - left and right part	88167377