



## END CAPS



LED End Cap Z22W



LED End Cap Z22W  
with Cable Entry



LED End Cap  
for Profile Z201



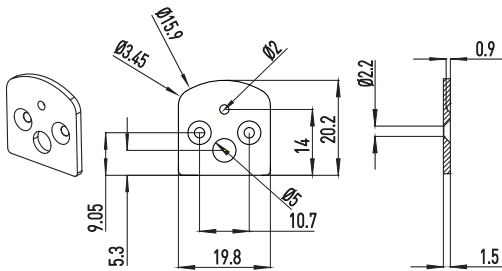
LED Strain Relief  
F2x0.75

## END CAPS

### LED END CAP Z22W



- End Caps for PROFILE Z22W
- Material: Aluminium



Size in mm

#### TECHNICAL DATA

|   |                      |
|---|----------------------|
| Ambient temperature finally installed                         | -30 ... +80 °C       |
| Ambient temperature during mounting the engine or the profile | +10 ... +30 °C       |
| Dimensions L x W x H  | 19,8 x 1,5 x 20,2 mm |
| Weight  | 0,002 kg             |

RoHS

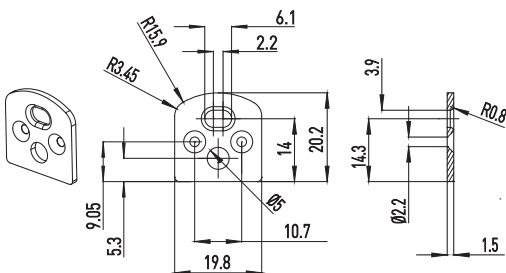
#### ORDERING DATA – LED END CAP Z22W

| Type  | Art. Nr. |
|---|----------|
| LED END CAP Z22W                                | 24139174 |
| Packaging: 100pc. p. packaging, carton, 1000pc. |          |

### LED END CAP Z22W WITH CABLE ENTRY



- End Caps for PROFILE Z22W
- Material: Aluminium



Size in mm

#### TECHNICAL DATA

|   |                      |
|---|----------------------|
| Ambient temperature finally installed                         | -30 ... +80 °C       |
| Ambient temperature during mounting the engine or the profile | +10 ... +30 °C       |
| Dimensions L x W x H  | 19,8 x 1,5 x 20,2 mm |
| Weight  | 0,002 kg             |

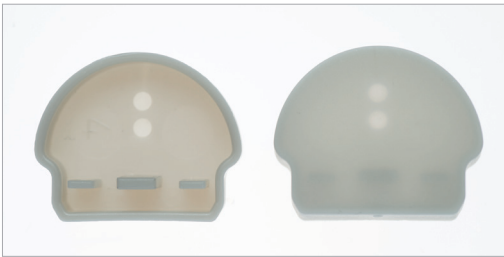
RoHS

#### ORDERING DATA – LED END CAP Z22W with cable entry

| Type  | Art. Nr. |
|---|----------|
| LED END CAP Z22W with cable entry               | 24139173 |
| Packaging: 100pc. p. packaging, carton, 1000pc. |          |

## END CAPS

### LED END CAP FOR PROFILE Z201

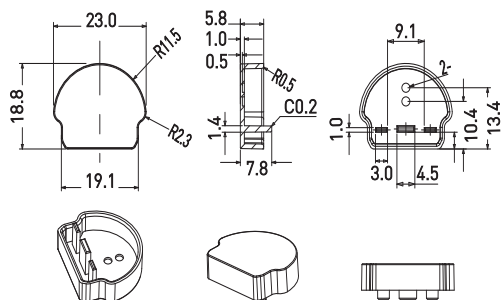


- LED End Caps for profile Z201
- Material: PBT
- Colour: Grey

#### TECHNICAL DATA

|   |                      |
|---|----------------------|
| Ambient temperature finally installed                         | -30 ... +80 °C       |
| Ambient temperature during mounting the engine or the profile | +10 ... +30 °C       |
| Dimensions L x W x H  | 23,0 x 7,8 x 18,8 mm |
| Weight  | 0,002 kg             |

RoHS



Size in mm

#### ORDERING DATA – LED END CAP for profile Z201

| Type  | Art. Nr. |
|---|----------|
| LED END CAP for profile Z201                    | 24166334 |
| Packaging: 500pc. p. packaging, carton, 6000pc. |          |

### LED STRAIN RELIEF F2X0.75

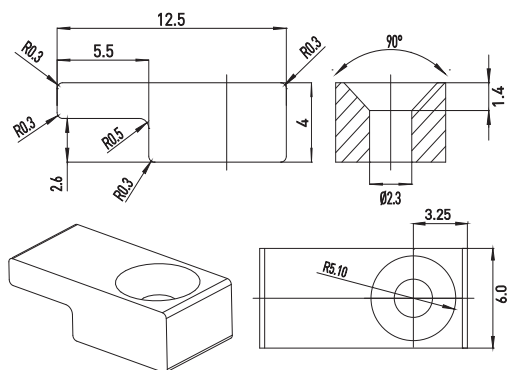


- Strain Relief
- Material: Aluminium

#### TECHNICAL DATA

|   |                   |
|---|-------------------|
| Ambient temperature finally installed                         | -30 ... +80 °C    |
| Ambient temperature during mounting the engine or the profile | +10 ... +30 °C    |
| Dimensions L x W x H  | 12,5 x 6,0 x 4 mm |
| Weight  | 0,002 kg          |

RoHS



Size in mm

#### ORDERING DATA – LED STRAIN RELIEF F2x0.75

| Type  | Art. Nr. |
|---|----------|
| LED STRAIN RELIEF F2x0.75                       | 24166102 |
| Packaging: 100pc. p. packaging, carton, 1000pc. |          |