

BTICINO &gt; Wiring devices &gt; Hotel Room Management &gt; Suppliers



## E46ADCN

Power supply - input 230 Vac, output 27 Vdc SELV - maximum consumption 450 mA – DIN rail mounted model - space requirement 8 DIN modules – for flush mounted or wall mounted switchboards

### Technical features

Brand	BTicino
Standard reference	EN 60669-2-1EN 50491-5-1EN 50428
Rated voltage	230Vac
Rated current	0,3A
N° of modules	8
Height	90mm
Width	143mm
Depth	60mm
Series	MyHome

### Documentation

- [Instruction Sheet](#)
- [DWG drawing](#)
- [Technical guide](#)
- [Technical guide](#)
- [Brochure](#)
- [Living Now english catalogue](#)

### Certificazioni



GROUP BRAND LEGRAND: | **bticino** | **IME** | Netatmo |

We, Bticino S.p.A Viale Borri 231 21100 Varese (Italy), declare that all items listed in Bticino catalogues, have been manufactured in compliance with the principal elements of safety objectives of European Directive said LVD: 2014/35/EU: 26 February 2014 and, where requested, also in compliance with essential protection requirements of electromagnetic compatibility according to European Directive 2014/30/EU: 26 February 2014, and/or where requested also in compliance with 1995/5/CE: 9 March 1999 "R&TTE" or where requested also in compliance with 2014/53/EU: 16 April 2014 "RED". Bticino S.p.A. products are in compliance with the standard published by the International Electrotechnical Commission (IEC). The compliance can be proved by Certificates issued by organizations recognized by IEC according to the CB-scheme. Our items comply with relevant European Product- Standards and show, whether provided, CE marking, they have been constructed in accordance with good engineering practice in safety matters in force in the Community, they do not endanger the safety of persons, domestic animals or property when properly installed and maintained and used in applications for which they were made.

## Related products



### MH201

It manages scenarios related to hotel rooms (with basic time and logic conditions) - It works as a g...



### 336905

Specific BUS/SCS cable, unshielded, consisting of a white external sheath and 2 x 0.50 mm<sup>2</sup> brown and...



### 336904

Specific BUS/SCS cable, unshielded, consisting of a white external sheath and 2 x 0.50 mm<sup>2</sup> brown and...



### L4669

Sheathed pair made up of 2 flexible wires with unshielded plaited sheath - insulation 300/500 V - co...



### L4669KM1

Sheathed pair made up of 2 flexible wires with unshielded plaited sheath - insulation 300/500 V - co...

## TECHNICAL FEATURES

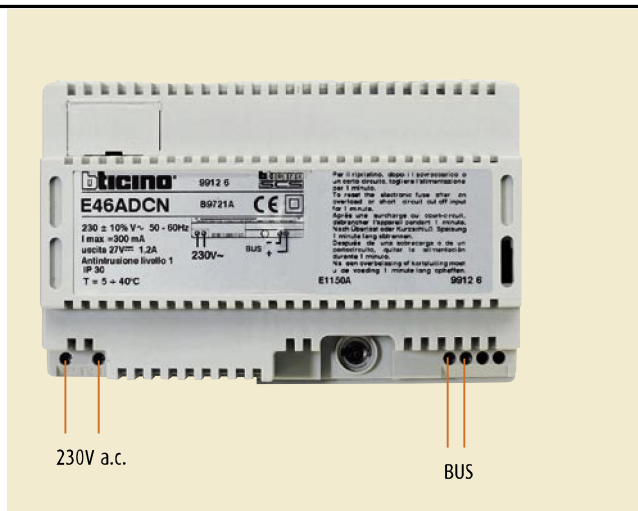
### Power supplies and accessories

#### POWER SUPPLY ITEM E46ADCN

Power supply unit with very low safety voltage (SELV) protected against short-circuit and overload.  
 Supplies functional power to the system components via the BUS cable.

#### TECHNICAL FEATURES

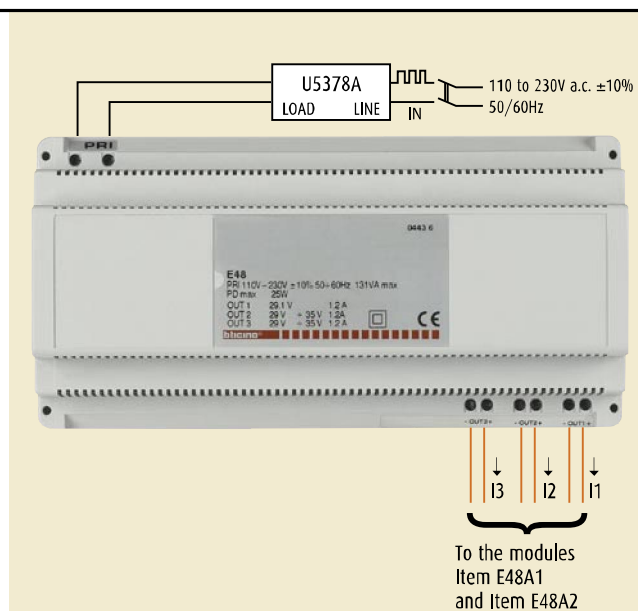
- Power supply: 230V a.c. ± 10% 50/60Hz
- Max. absorption: 300 mA
- Maximum current supplied: 1.2A
- Output rated voltage: 27V d.c.
- Size: 8 DIN modules
- Dissipated power with max. load:
  - 11 W



#### 3-OUTPUT POWER SUPPLY ITEM E48

Basic unit to be used in lieu of the power supply units Item E46ADCN, Item E47ADCN and Item 346000 in MY HOME systems with several installations (burglar alarm, automation, 2-wire video door-entry systems, etc.).  
 The device is equipped with 3 output terminals to which it is necessary to connect the Accessory modules Item E48A1 and Item E48A2, to be selected according to the specific types of installation.  
 It is designed in a modular container for DIN rail (10 modules) and dissipates power Pd=25W with an absorption of 131VA.

The loads connected to the 3 outputs must be such that  $I_1 > I_2 > I_3$ .



#### ACCESSORY ITEM E48A1

Accessory module to be used with the basic unit Item E48, with two terminals for supplying power at 27V d.c. 1.2A to the Burglar Alarm, Automation and Temperature Control systems.  
 An anti-tampering device (NC contact) can be connected to the device as well as a 12V 7.2/12/24 Ah battery, to be used as a back-up unit of the system.  
 The module is designed in a container for DIN rail (4 modules) and dissipates power Pd=7W.

