

ACL LENS 43x280mm

Linear accessories



ACL LENS



ACL ENDCAP 43F



ACL ENDCAP 43M

Product description ACL LENS

- _ ACL LENS for LLE 24mm HO HV ADV1
- _ Available with different beam characteristics, light distribution graphics see data sheet 6.2 light distribution
- _ IP20 ingress protection: Lens, module and endcap assembled together on the luminaire body ensure IP20 ingress protection
- _ Material: PMMA
- _ Max. permissible temperature 80 °C

Product description Endcap

- _ ENDCAP for ACL LENS 43x280mm
- _ Material: PMMA

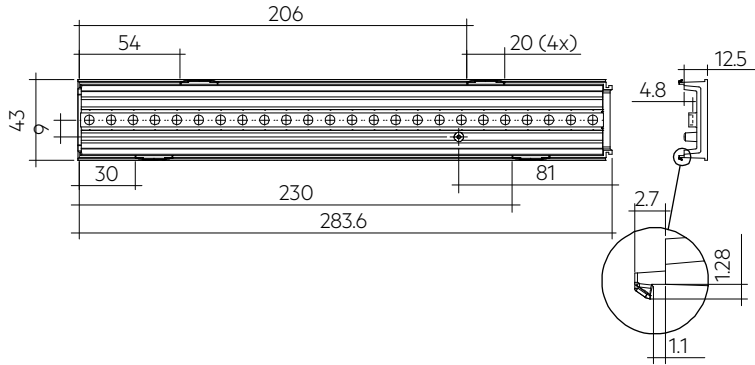
Website

<http://www.tridonic.com/28003576>

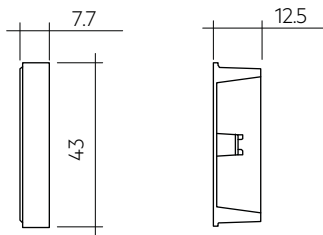


ACL LENS 43x280mm

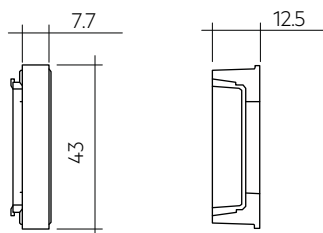
Linear accessories



ACL LENS



ACL ENDCAP 43F



ACL ENDCAP 43M

Ordering data

Type	Article number	Length L	Beam characteristic	Efficiency	Packaging, bag	Packaging, carton	Weight per pc.
ACL LENS 43 x 280mm 30°	28003576	283.6 mm	30°	92 %	–	56 pc(s).	0.080 kg
ACL LENS 43 x 280mm 60°	28003577	283.6 mm	60°	91 %	–	56 pc(s).	0.070 kg
ACL LENS 43 x 280mm 90°	28003578	283.6 mm	90°	90 %	–	56 pc(s).	0.070 kg
ACL LENS 43 x 280mm ASY	28003579	283.6 mm	asymmetric	87 %	–	56 pc(s).	0.080 kg
ACL LENS 43 x 280mm DASY	28003580	283.6 mm	double asymmetric	88 %	–	56 pc(s).	0.080 kg
ACL ENDCAP 43F	28003581	–	–	–	50 pc(s).	2,100 pc(s).	0.002 kg
ACL ENDCAP 43M	28003582	–	–	–	50 pc(s).	2,100 pc(s).	0.002 kg