

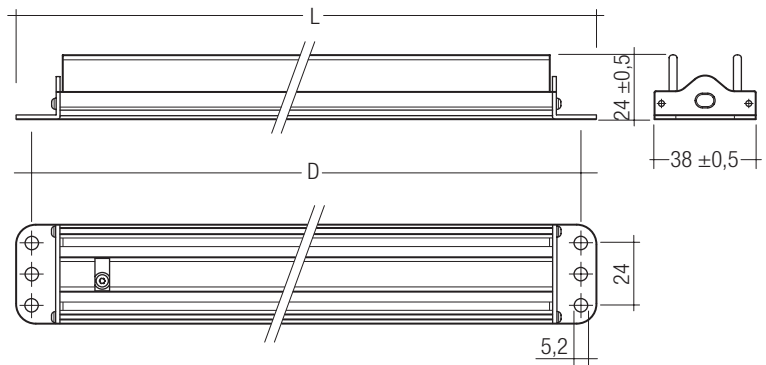
IP20 

TALEXengine IMAGE CLASSIC

TALEXengine IMAGE 700 mA

Product description

- Complete solution with standard cable
- High efficiency thanks to directional lighting and integrated heat removal
- High quality of light thanks to a combination of COB LEDs and optics
- Safety extra low voltage (SELV)
- Simple installation thanks to pre-fitted adhesive tape
- Connection: H03WH, white, length 1.5 m
- Cross section connection: 2 x 0.75 mm²
- Cooling section made of anodised, extruded aluminium
- End caps made of CrNi
- Linear lenses made of PMMA
- Safety extra low voltage (SELV), protection class III



Technical data

Supply current DC	700 mA
Ambient temperature t_a	-30 ... +60 °C
Max. surface temperature on profile	75 °C
Storage temperature t_s	-30 ... +80 °C
Type of protection	IP20
Protection class	III
Risk group (EN 62471:2008)	1



Standards, page 3

Colour temperatures and tolerances, page 5

Ordering data

Type	Article number	Length L	Colour	Colour temperature [®]	Packaging, carton	Packaging, pallet
LED IMA-CLA DL 700mA 300 2 20 0000	89601127	300 mm	Daylight white	6,500 K	100 pc(s).	200 pc(s).
LED IMA-CLA DL 700mA 600 4 20 0000	89601128	600 mm	Daylight white	6,500 K	48 pc(s).	192 pc(s).
LED IMA-CLA DL 700mA 900 6 20 0000	89601129	900 mm	Daylight white	6,500 K	15 pc(s).	240 pc(s).
LED IMA-CLA DL 700mA 1200 8 20 0000	89601130	1,200 mm	Daylight white	6,500 K	15 pc(s).	240 pc(s).
LED IMA-CLA DL 700mA 1500 10 20 0000	89601131	1,500 mm	Daylight white	6,500 K	15 pc(s).	240 pc(s).

Specific technical data

Type	Photometric code	Hole spacing D	Number of LED	Lens	Colour rendering index CRI	Typ. luminous flux [®] Φ_v	Typ. forward voltage [®]	Power consumption, typ. [®]	Luminous efficacy
LED IMA-CLA DL 700mA 300 2 20 0000	765 / 569	288 mm	2	30°	75	290 lm	7.0 V	4.9 W	59 lm/W
LED IMA-CLA DL 700mA 600 4 20 0000	765 / 569	588 mm	4	30°	75	580 lm	14.0 V	9.8 W	59 lm/W
LED IMA-CLA DL 700mA 900 6 20 0000	765 / 569	888 mm	6	30°	75	870 lm	21.0 V	14.7 W	59 lm/W
LED IMA-CLA DL 700mA 1200 8 20 0000	765 / 569	1,188 mm	8	30°	75	1,160 lm	28.0 V	19.6 W	59 lm/W
LED IMA-CLA DL 700mA 1500 10 20 0000	765 / 569	1,488 mm	10	30°	75	1,450 lm	35.0 V	24.5 W	59 lm/W

[®] Tolerance range for optical data: +0 % / -30 %.

[®] At $t_c = 45$ °C.

[®] Tolerance range for electrical data: ± 15 %.

[®] Value refers to LED (central measurement).

All values at $t_a = 25$ °C and 700 mA.

Converter matrix – TALEXengine IMAGE CLASSIC 700 mA

Type	LCI 015/0700 E020 ^①	LCI 030/0700 E020 ^①	LCI 015/0700 M020 ^②	LCI 030/0700 M120 ^②
Article number	24166313	24166314	86459181	86459178

Assignable converter

Type	Article number	LCI 015/0700 E020 ^①		LCI 030/0700 E020 ^①		LCI 015/0700 M020 ^②		LCI 030/0700 M120 ^②	
		Min.	Max.	Min.	Max.	Min.	Max.	Min.	Max.
LED IMA-CLA DL 700mA 300 2 20 0000	89601127	2	2	4	5	1	3	2	6
LED IMA-CLA DL 700mA 600 4 20 0000	89601128	1	1	2	2	1	1	1	3
LED IMA-CLA DL 700mA 900 6 20 0000	89601129					1	1	1	2
LED IMA-CLA DL 700mA 1200 8 20 0000	89601130			1	1			1	1
LED IMA-CLA DL 700mA 1500 10 20 0000	89601131			1	1			1	1

^① Type of protection IP20

^② Type of protection IP67

Standards

- EN 60598-2-1
- EN 62031
- EN 62471

The product meets the “independent LED module” classification according to EN 62031.

Certificates

- UL file: e313318

Photometric code

Key for photometric code, e. g. 830 / 559

1 st digit	2 nd + 3 rd digit	4 th digit	5 th digit	6 th digit		
Code	CRI	Colour temperature in Kelvin x 100	McAdams initial	McAdams after 25% of the lifetime (max.6000h)	Lumen maintenance after 25% of the lifetime (max.6000h)	
7	67 – 76				Code	
8	77 – 86				7	≥ 70 %
9	87 – ≥90				8	≥ 80 %
				9	≥ 90 %	

Thermal behaviour

operation temperature (operation, no defects)	ta	- 30 → + 60 °C
storage temperature	ts	- 30 → + 80 °C
max. temperature cooling profile	tc	- 30 → + 75 °C

The values apply to operation at 100 % output, natural convection. If the maximum temperature limits are exceeded, the life of the TALEXengine IMAGE CLASSIC will be greatly reduced. The TALEXengine IMAGE CLASSIC can fail within a short time. The tc point temperature of the TALEXengine IMAGE CLASSIC has to be measured in the thermally stable state and under operating conditions. Measurement setup e.g. according to IEC/EN 60598-1.

Installation of TALEXengine IMAGE CLASSIC

- Mount with end caps.
- Screws ST3.9 and ST3.5 (according to EN ISO 15481) can be used for the mounting hole.

Electrical supply/choice of converter

TALEXengine IMAGE CLASSIC from Tridonic are not protected against overvoltages, overcurrents, overloads or short-circuit currents. Safe and reliable operation can only be guaranteed in conjunction with a converter which complies with the relevant standards. The use of TALEX converters from Tridonic in combination with TALEXengine IMAGE CLASSIC guarantees the necessary protection for safe and reliable operation.

If a converter other than Tridonic TALEXconverter is used, it must provide the following protection:

- Short-circuit protection
- Overtemperature protection

TALEXengine IMAGE CLASSIC must be supplied by a constant current converter. Operation with a constant voltage converter will lead to an irreversible damage. The TALEXengine IMAGE CLASSIC is equipped with reverse voltage protection up to 50V.



- For chaining of multiple TALEXengine IMAGE CLASSIC units please note the wiring example and the number of engines/converters.
- The converter must be switched off before connecting the TALEXengine IMAGE CLASSIC. This can damage the TALEXengine IMAGE CLASSIC!

TALEXengine IMAGE CLASSIC in conjunction with water

- Admissible Environmental Conditions:
The LEDs used in the TALEXengine IMAGE CLASSIC are provided with a protective coating to guard against superficial dewing (according to JEDEC JESD22 A100C) and high relative air humidity.
- Harmful Environmental Conditions:
The product is not designed to be operated in contact with water.

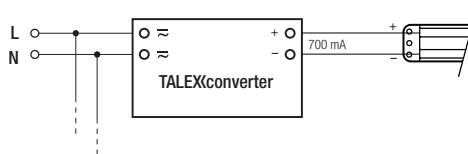
Wiring

Cable: H03VVH2-F cross section 2 x 0,75 mm², white, Length 1.5 m

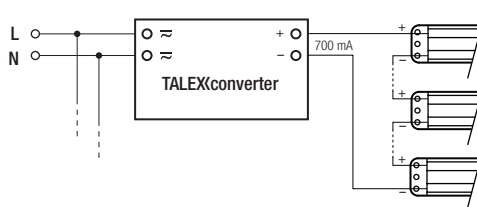
Colour	red	black
Function	+	-



Wiring example TALEXengine IMAGE CLASSIC



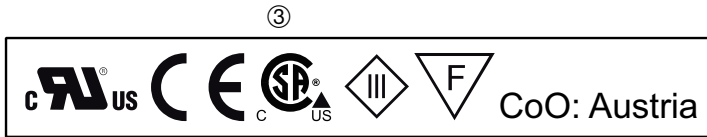
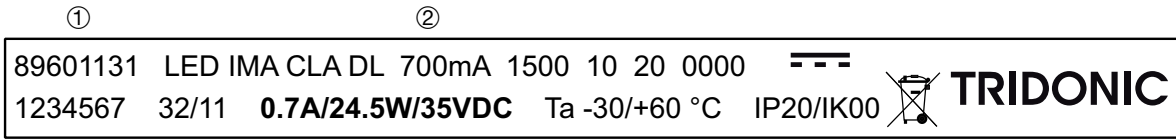
Wiring example for 2 or more TALEXengine IMAGE CLASSIC in series



Lifetime

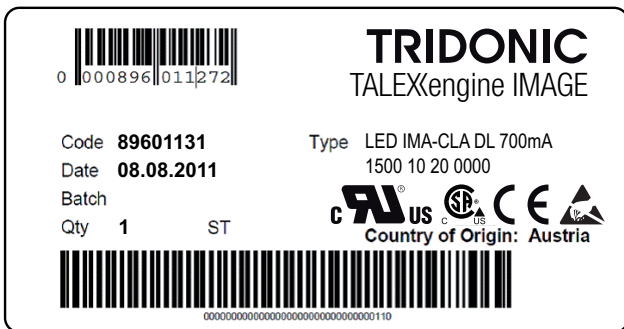
tc temperature in °C	luminous flux in %	lifetime in h
0	80	31.000
	70	50.000
	50	96.000
15	80	30.000
	70	48.000
	50	93.000
25	80	29.000
	70	47.000
	50	91.000
45	80	28.000
	70	45.000
	50	87.000
75	80	24.000
	70	39.000
	50	75.000

Label product

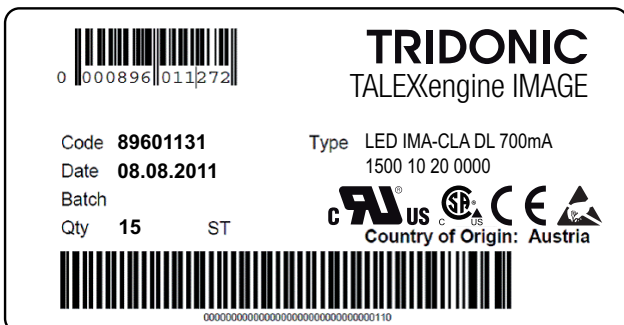


- ① Article number
- ② Type of the engine
- ③ Normative symbols
- ④ Production batch
- ⑤ Production date WW/YY
- ⑥ Electrical specification
- ⑦ Ambient temperature limits
- ⑧ IP declaration

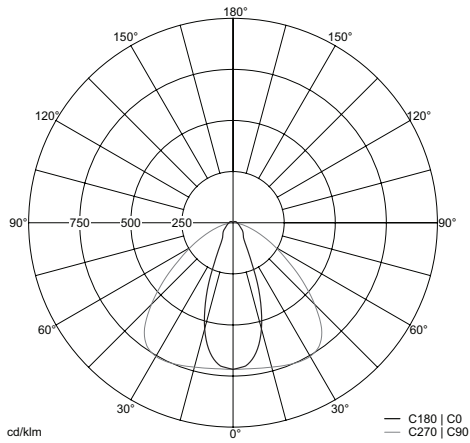
Label product packaging



Label carton



Luminous intensity distribution TALEXengine IMAGE CLASSIC:



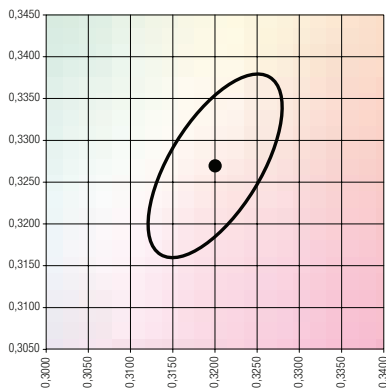
Type	Mounting height	Average illuminance	Beam diameter
LED IMA-CLA DL 700mA 300 2 20 0000	0.25 m	2,725 lx	0.19 m
	0.50 m	681 lx	0.39 m
	0.75 m	303 lx	0.58 m
	1.00 m	170 lx	0.78 m
LED IMA-CLA DL 700mA 600 4 20 0000	0.25 m	5,449 lx	0.19 m
	0.50 m	1,362 lx	0.39 m
	0.75 m	605 lx	0.58 m
	1.00 m	341 lx	0.78 m
LED IMA-CLA DL 700mA 900 6 20 0000	0.25 m	5,449 lx	0.19 m
	0.50 m	2,043 lx	0.39 m
	0.75 m	908 lx	0.58 m
	1.00 m	511 lx	0.78 m
LED IMA-CLA DL 700mA 1200 8 20 0000	0.25 m	10,898 lx	0.19 m
	0.50 m	2,725 lx	0.39 m
	0.75 m	1,211 lx	0.58 m
	1.00 m	681 lx	0.78 m
LED IMA-CLA DL 700mA 1500 10 20 0000	0.25 m	13,623 lx	0.19 m
	0.50 m	3,406 lx	0.39 m
	0.75 m	1,514 lx	0.58 m
	1.00 m	851 lx	0.78 m

Coordinates and tolerances according to CIE 1964

CIE coordinates

Daylight white 6,500 K

	x0	y0
Centre	0.3200	0.3270



MacAdam Ellipse: 5SDCM

