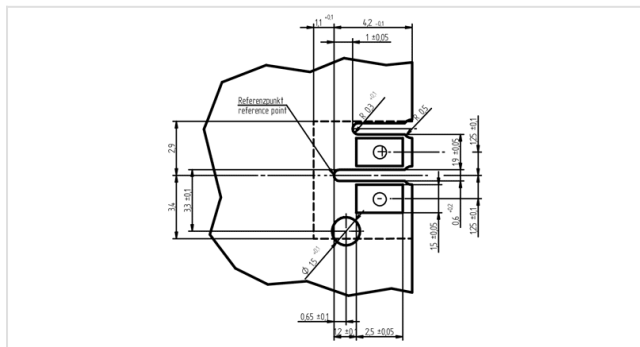
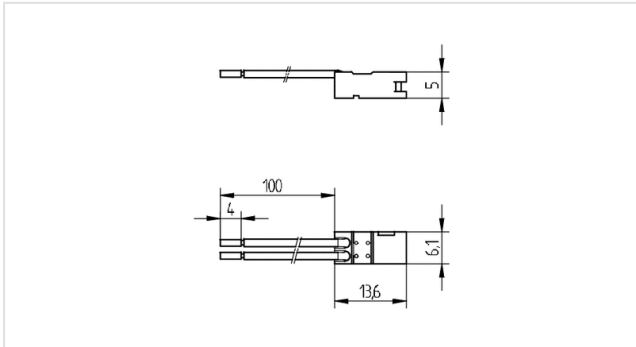
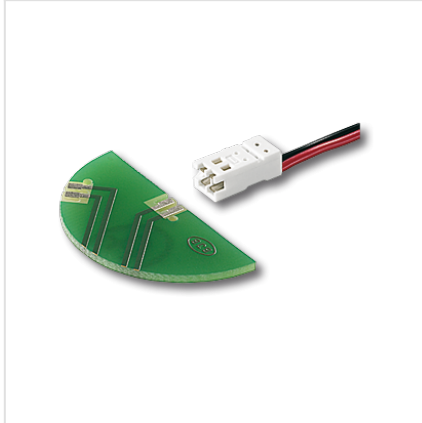
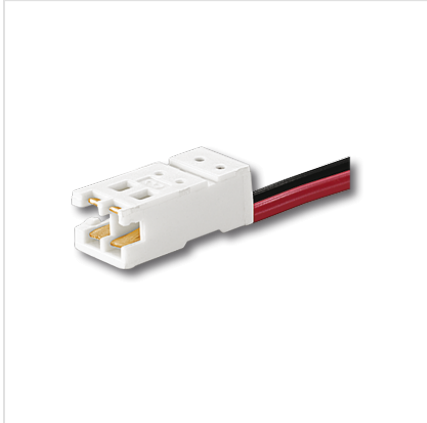




Technik für Licht
Komponenten · Optik · Automation

47.342.2003

More Components
PCB Connectors



Color: weiß
FC: 50
Part no.: 47.342.2003.50

2 A
24 V

LED-LINE

T 100

Description

• Thickness: 1.6 ±0.14 mm

| | |
|----------------------|---|
| Product name: | Connector |
| Color: | white |
| Material: | Housing: PBT Contacts: CuSn |
| Weight: | 5 |
| Wires: | Cu, tinned, 0.35 mm ² (22 AWG), Insulation: PVC red / black, Lead length: 500 mm, with ferrule |
| lead length: | lead length: 500 mm with ferrule |
| Pkg.: | 200 |