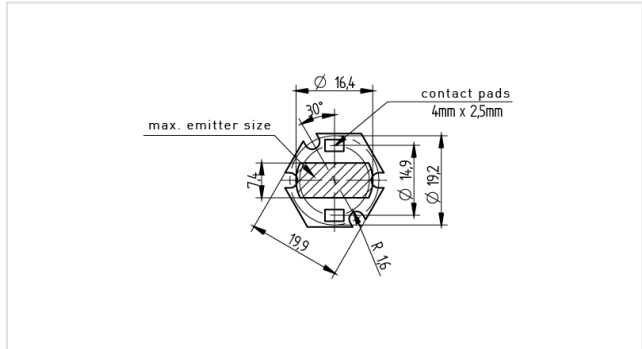
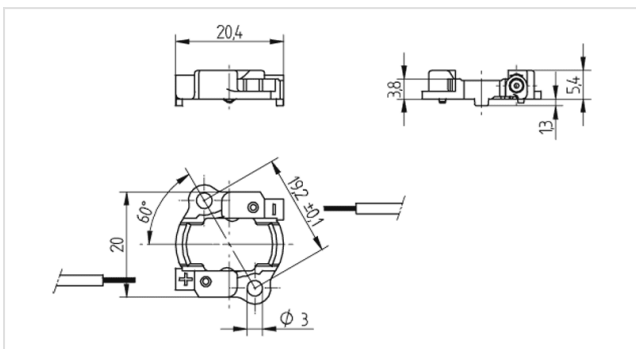




Technik für Licht
Komponenten · Optik · Automation

47.313.1001

Connectors for COBs
47.313 - Connectors for STARboards and Accessories



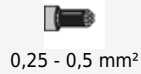
Color: schwarz
FC: 80
Part no.: 47.313.1001.80



2A
60VDC



T 110



Description

- Not for use with lenses
- Screw mounting: for screws M3 and locking washer
- Max. torque for screw fixing 0.5 Nm*
- Strip length: 6+1 mm
- Test ports
- Polarity of LED must be observed
- Specifications of LED manufacturer must be observed
- VDE-Reg - no. D060
- *Please note the max torque of the COB manufacturer

Product name:	Connector for STARboard with LED
LED type:	Edipower Star, ES-Star
Farbe:	black
Mounting method 1:	Screw mount
Material:	Housing: PBT Contacts: CuSn
Weight:	1
Pkg.:	250