

Driver LCA 100W 350–1050mA 2xDT8 Ip PRE

Tunable White

New

**Product description**

- _ Dimmable built-in constant current 4-channel LED Driver with 2 x DALI DT8
- _ Adjustable output current between 350 and 1,050 mA for each channel via I-select 2 plugs or DALI
- _ Max. output power 100 W
- _ Up to 90 % efficiency
- _ Power input on stand-by < 0.25 W
- _ Dimming range 3 to 100 %
- _ Suitable for luminaires of protection class I and protection class II (see data sheet chapter 3.4 for details)
- _ Nominal life-time up to 100,000 h
- _ 5-year guarantee

Housing properties

- _ Low profile metal casing with white cover
- _ Type of protection IP20

Interfaces

- _ one4all (DALI DT8, DSI, switchDIM, corridorFUNCTION V2)
- _ colourSWITCH
- _ Terminal blocks: 0° push terminals

Functions

- _ Adjustable output current (DALI, I-select 2)
- _ Constant light output function (CLO)
- _ colourSWITCH with predefined colours
- _ switchDIM and colourSWITCH with memory function
- _ Power-up fading and fade to zero
- _ Configurable via DALI
- _ Protective features (overtemperature, short-circuit, overload, no-load, reduced surge amplification)
- _ Suitable for emergency escape lighting systems acc. to EN 50172

Benefits

- _ Application-oriented operating window for maximum compatibility
- _ Best energy savings due to low stand-by losses
- _ Flexible configuration via DALI and I-select 2

Typical applications

- _ For linear/area lighting in office applications
- _ Tunable white application

Website

<http://www.tridonic.com/28001911>



Spotlights



Downlights



Linear



Area



Floor | Wall



Free-standing



Street



Decorative

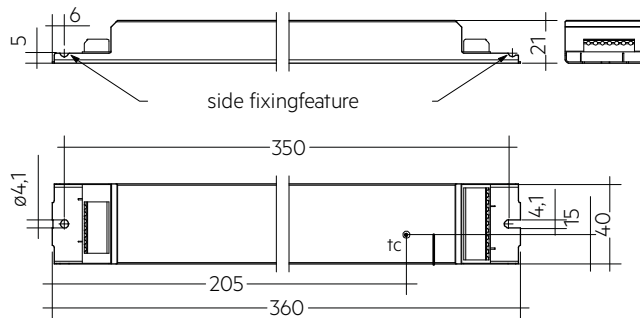


High bay

Driver LCA 100W 350–1050mA 2xDT8 Ip PRE

Tunable White

The complete data sheet for this product is available in the Downloads section.



Ordering data

Type	Article number	Packaging, carton	Packaging, pallet	Weight per pc.
LCA 100W 350-1050mA 2xDT8 Ip PRE	28001911	20 pc(s).	600 pc(s).	0.352 kg

Technical data

Rated supply voltage	220 – 240 V
AC voltage range	198 – 264 V
DC voltage range	176 – 280 V
Mains frequency	0 / 50 / 60 Hz
Overvoltage protection	320 V AC, 48 h
Typ. current (at 230 V, 50 Hz, full load) ^{①②}	185 – 488 mA
Typ. current (220 V, 0 Hz, full load, 15 % dimming level) ^②	87 mA
Leakage current (at 230 V, 50 Hz, full load) ^{①②}	< 500 A
Typ. efficiency (at 230 V, 50 Hz, full load) ^②	90 %
λ (at 230 V, 50 Hz, full load) ^①	> 0.98
Typ. power input on stand-by ^③	< 0.25 W
Typ. input current in no-load operation	22 mA
Typ. input power in no-load operation	< 0.5 W
In-rush current (peak / duration)	29 A / 180 s
THD (at 230 V, 50 Hz, full load) ^①	< 10 %
Time to light (at 230 V, 50 Hz, full load) ^①	< 0.6 s
Time to light (DC mode)	< 0.3 s
Switchover time (AC/DC)	< 0.2 s
Turn off time (at 230 V, 50 Hz, full load)	< 20 ms
Output current tolerance ^{①④}	\pm 3 %
Max. output current peak (non-repetitive)	\leq output current + 20 %
Output LF current ripple (< 120 Hz)	\pm 4 %
Max. output voltage (no-load voltage)	60 V
Dimming range	3 – 100 %
Colour tuning range	2,700 – 6,500 K
Mains surge capability (between L - N)	1 kV
Mains surge capability (between L/N - PE)	2 kV
Surge voltage at output side (against PE)	< 500 V
Dimensions L x W x H	360 x 30 x 21 mm

Approval marks



Standards

EN 55015, EN 61000-3-2, EN 61000-3-3, EN 61347-1, EN 61347-2-13, EN 62384, EN 61547, EN 62386-101, EN 62386-102, EN 62386-207, Acc. to EN 50172, Acc. to EN 60598-2-22

Specific technical data

Type	Output current for each channel ^{①②}	Min. forward voltage per channel	Max. forward voltage per channel	Max. output power per channel	Typ. power consumption (at 230 V, 50 Hz, full)	Typ. current consumption (at 230 V, 50 Hz, full)	tc point max.	Ambient temperature t_a	I-select 2 resistor value ^⑥
LCA 100W 350-1050mA 2xDt8 Ip PRE	350 mA	20 V	50.0 V	17.5 W	40.7 W	185 mA	80 °C	-25 ... +60 °C	-
LCA 100W 350-1050mA 2xDt8 Ip PRE	400 mA	20 V	50.0 V	20.0 W	46.0 W	207 mA	80 °C	-25 ... +60 °C	12.50 kΩ
LCA 100W 350-1050mA 2xDt8 Ip PRE	450 mA	20 V	50.0 V	22.5 W	51.7 W	232 mA	80 °C	-25 ... +60 °C	11.11 kΩ
LCA 100W 350-1050mA 2xDt8 Ip PRE	500 mA	20 V	50.0 V	25.0 W	57.1 W	255 mA	80 °C	-25 ... +60 °C	10.00 kΩ
LCA 100W 350-1050mA 2xDt8 Ip PRE	550 mA	20 V	50.0 V	27.5 W	62.5 W	278 mA	80 °C	-25 ... +60 °C	9.09 kΩ
LCA 100W 350-1050mA 2xDt8 Ip PRE	600 mA	20 V	50.0 V	30.0 W	67.8 W	300 mA	80 °C	-25 ... +60 °C	8.33 kΩ
LCA 100W 350-1050mA 2xDt8 Ip PRE	650 mA	20 V	50.0 V	32.5 W	73.0 W	323 mA	80 °C	-25 ... +60 °C	7.69 kΩ
LCA 100W 350-1050mA 2xDt8 Ip PRE	700 mA	20 V	50.0 V	35.0 W	78.4 W	346 mA	80 °C	-25 ... +55 °C	7.14 kΩ
LCA 100W 350-1050mA 2xDt8 Ip PRE	750 mA	20 V	50.0 V	37.5 W	83.9 W	370 mA	80 °C	-25 ... +55 °C	6.67 kΩ
LCA 100W 350-1050mA 2xDt8 Ip PRE	800 mA	20 V	50.0 V	40.0 W	89.4 W	393 mA	80 °C	-25 ... +55 °C	6.25 kΩ
LCA 100W 350-1050mA 2xDt8 Ip PRE	850 mA	20 V	50.0 V	42.5 W	94.8 W	417 mA	80 °C	-25 ... +55 °C	5.88 kΩ
LCA 100W 350-1050mA 2xDt8 Ip PRE	900 mA	20 V	50.0 V	45.0 W	100.6 W	441 mA	80 °C	-25 ... +50 °C	5.56 kΩ
LCA 100W 350-1050mA 2xDt8 Ip PRE	950 mA	20 V	50.0 V	47.5 W	105.8 W	464 mA	80 °C	-25 ... +50 °C	5.26 kΩ
LCA 100W 350-1050mA 2xDt8 Ip PRE	1,000 mA	20 V	50.0 V	50.0 W	111.5 W	488 mA	80 °C	-25 ... +50 °C	5.00 kΩ
LCA 100W 350-1050mA 2xDt8 Ip PRE	1,050 mA	20 V	47.6 V	50.0 W	111.4 W	488 mA	80 °C	-25 ... +50 °C	0.00 kΩ

① Valid at 100 % dimming level.

② Depending on the selected output current.

③ Depending on the DALI traffic at the interface.

④ Output current is mean value.

⑤ The table only lists a number of possible operating points but does not cover each single point. The output current can be set within the total value range in 1-mA-steps.

⑥ Not compatible with I-select (generation 1).