

**I-SELECT 2 PLUG PRE / EXC**

Resistors for current selection

**Product description**

- \_ Ready-for-use resistor to set output current value
- \_ Compatible with LED driver featuring I-select 2 interface; not compatible with I-SELECT (generation 1)
- \_ Resistor is base insulated
- \_ Resistor power 0.25 W
- \_ Current tolerance  $\pm 2\%$  additional to output current tolerance
- \_ Compatible with LED driver series PRE and EXC

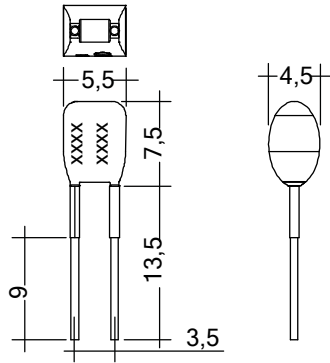
**Example of calculation**

- \_  $R \text{ [k}\Omega\text{]} = 5 \text{ V} / I_{\text{out}} \text{ [mA]} \times 1000$
- \_ E96 resistor value used
- \_ Resistor value tolerance  $\leq 1\%$ ; resistor power  $\geq 0.1 \text{ W}$ ; base insulation necessary
- \_ When using a resistor value beyond the specified range, the output current will automatically be set to the minimum value (resistor value too big), respectively to the maximum value (resistor value too small)

**Website**<http://www.tridonic.com/28001134>

**I-SELECT 2 PLUG PRE / EXC**

Resistors for current selection

**Ordering data**

| Type                      | Article number | Colour | Marking | Current  | Resistor value  | Packaging, bag | Weight per pc. |
|---------------------------|----------------|--------|---------|----------|-----------------|----------------|----------------|
| I-SELECT 2 PLUG 1600MA BL | 28001134       | Blue   | 1600 mA | 1,600 mA | 3.16 k $\Omega$ | 10 pc(s).      | 0.001 kg       |