

DALI PS2

DALI power supply

Product description

- For supplying 240 mA for DALI devices or control modules without their own power supplies
- For installation in switching cabinets
- 5 years guarantee (conditions at www.tridonic.com)



Wiring diagrams and installation examples, page 3



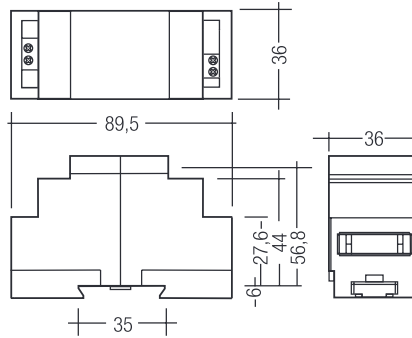


DALI PS2

DALI power supply

Technical data

| | |
|---|---------------------|
| Rated supply voltage | 220 – 240 V |
| Mains frequency | 50 / 60 Hz |
| Typ. rated current (at 230 V, 50 Hz, full load) | 57 mA |
| Power | 4,7 W |
| Output voltage | 13,5 V ±5 % |
| Max. output current, DALI | 240 mA |
| Operating temperature | 0 ... +50 °C |
| Max. casing temperature t_c | 80 °C |
| Storage temperature | 0 ... +70 °C |
| Type of protection | IP20 |
| Dimensions L x W x H | 89,5 x 36 x 56,8 mm |



Ordering data

| Type | Article number | Packaging, carton | Weight per pc. |
|----------|----------------|-------------------|----------------|
| DALI PS2 | 28000876 | 40 pc(s). | 0,105 kg |

1. Standards

EN 55015
 EN 61547
 EN 61000-3-2
 EN 61000-3-3
 EN 61347-2-11
 EN 62386-101

1.1 DALI standard

DALI PS2 is designed to supply control gear with DALI standard IEC 60929 (DALI V0) and IEC 62386 (DALI V1).

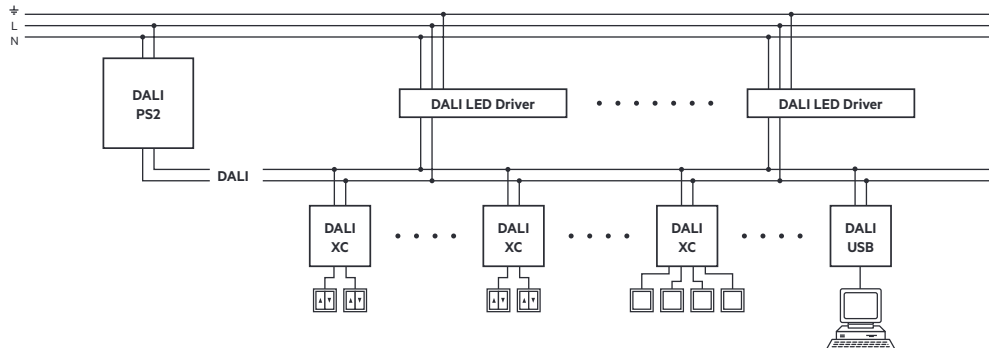
1.2 Glow-wire test

according to EN 60598-1 passed.

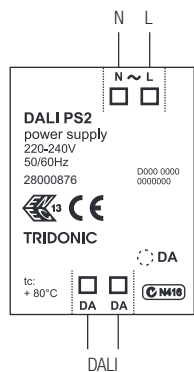
2. Installation

- DALI signals are not SELV. Therefore the same procedures should be applied as working with mains voltage
- Individual DALI circuits must not exceed 240 mA
- The maximum cable length of the DALI signal wires must not exceed 300 m or drop more than 2 V on the signal line voltage

2.1 Wiring

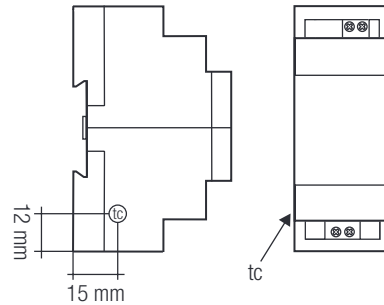


2.2 Circuit diagram



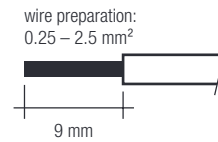
2.3 tc control point

Max. casing temperature $t_c = 80^\circ\text{C}$



2.4 Wiring type and cross section

For wiring use stranded wire without / with ferrules or solid wire from 0.25 to 2.5 mm².



3. Miscellaneous

3.1 Disposal



According to the WEEE directive return old equipment at appropriate collection facilities.

3.2 Additional information

Additional technical information at www.tridonic.com → Technical Data

Guarantee conditions at www.tridonic.com → Services

Lifetime declarations are informative and represent no warranty claim. No warranty if device was opened.