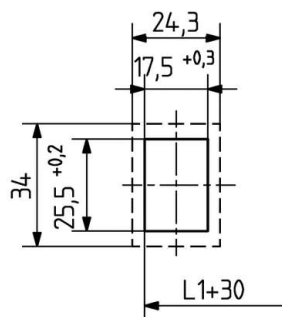
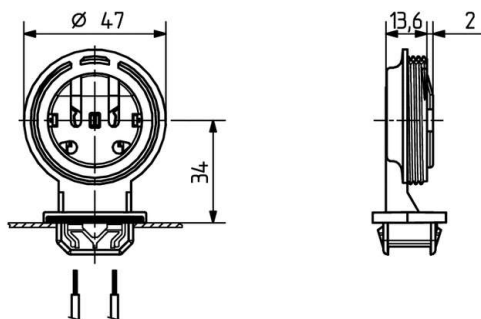


 Create pdf

## Linear Fluorescent Lampholders: Water and Dustproof

27.240.U301

G13 Twin slot lamp insertion with snap in foot 25.5 x 17.5 mm



L1+30: Recommended cutout spacing. "L1" distance is determined by the length of the respective lamp.



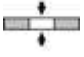
color	pkg.	wt.	part no.
white	100	21 g	27.240.U301.50
gray	100	21 g	27.240.U301.81

Wiring: through snap in foot

Lamp center: 34 mm  
Snap-in foot 25.5 x 17.5 mm

Housing: PC  
Rotor: PBT

- Max. permissible temperature at front of face plate (T): 140°C
- Max. permissible temperature at the rear of the lampholder (Tm): 110°C
- Quick and easy wiring achieved by tapered wiring channels
- Tensile interior of lampholder provides a lamp length tolerance compensation of 3 mm per pair of lampholders
- Suitable gaskets: 27.240.-703 u. 27.240.-707

T 140		 18 AWG 0.5 - 1.0 mm <sup>2</sup>	 1.4 - 2.0	IP 65/67
-------	---	--	--	-------------

Document generated on: Th, 9. February 2017 - 14:20