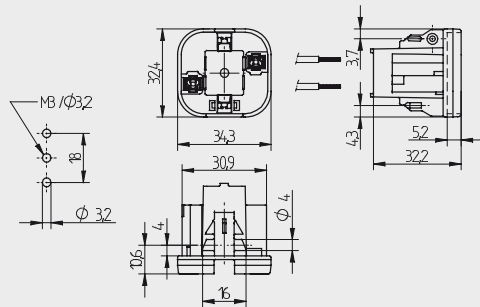


Lampholders for compact fluorescent lamps

26.745

G24 / GX24



pkg. wt.
250 10 g

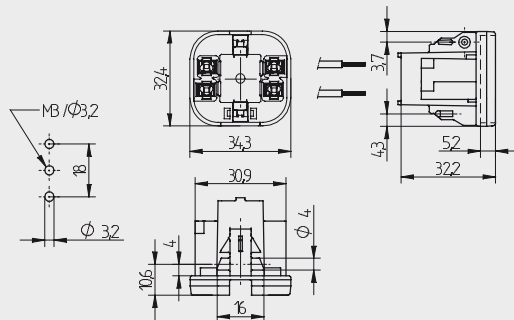
part no. Key:
26.745.1111.50 d-1 (10 / 13 Watt)
26.745.1121.50 d-2 (18 Watt)
26.745.1131.50 d-3 (26 / 32 Watt)
26.745.1141.50 d (without key)*

For lamps TC-D, TC-T, TC-DEL, TC-TEL
 Screw fixing vertical or central rivet fixing
 Housing: PBT
 Approval: additional cULus (500 V)

- Screw fixing: holes: \varnothing 3.2 mm for screws ISO 1207 - M3
- Rivet fixing: we recommend blind rivet \varnothing 3.0 mm according to DIN 7337 (Aluminium / Steel flat round head) max. pull force 500 N
- *Note: Whilst the version of the lampholder without key is designed and constructed to the same high quality standards as the approved versions, there is no valid approval available that we can apply for.

Find accessories on page: [03] 38

T 140			CAD	i
	0.5 - 1.0 mm ²	0.5 - 1.0 mm ²		[03] 3...



pkg. wt.
250 10 g

part no. Key:
26.745.1151.50 q-1 (8 / 10 / 13 Watt) / q-5 (57 Watt)**
26.745.1161.50 q-2 (18 Watt) / q-6 (70 Watt)***
26.745.1171.50 q-3 (26 / 32 Watt)
26.745.1181.50 q-4 (42 Watt)
26.745.1191.50 q-3+q-4 (26 - 42 Watt)
26.745.1201.50 d (without key)*

**Key q-5 only when used with adaptor 26.725.-420
 ***Key q-6 only when used with adaptor 26.725.-420

For lamps TC-D, TC-T, TC-DEL, TC-TEL
 Screw fixing vertical or central rivet fixing
 Housing: PBT
 Approval: additional cULus (500 V)

- Screw fixing: holes: \varnothing 3.2 mm for screws ISO 1207 - M3
- Rivet fixing: we recommend blind rivet \varnothing 3.0 mm according to DIN 7337 (Aluminium / Steel flat round head) max. pull force 500 N
- *Note: Whilst the version of the lampholder without key is designed and constructed to the same high quality standards as the approved versions, there is no valid approval available that we can apply for.

Find accessories on page: [03] 35, [03] 38

T 140			CAD	i
	0.5 - 1.0 mm ²	0.5 - 1.0 mm ²		[03] 3...