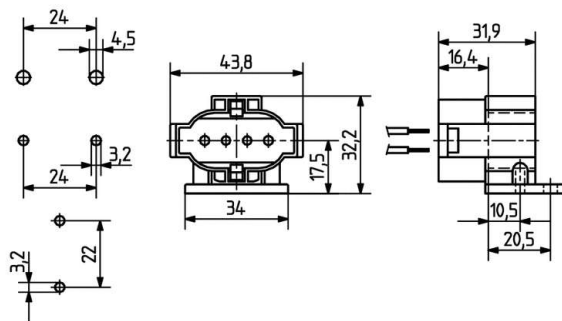


 Create pdf

## Lampholders for compact fluorescent lamps

26.727.8331

2G7



colour	pkg.	wt.	part no.
white	250	17 g	26.727.8331.50

Approval: additional cULus (75W/600V)




For lamps TC-SEL

Screw fixing horizontally

Schraubbefestigung vertikal

Housing: PBT

- Screw fixing horizontally: holes:  $\varnothing$  4.5 mm for screws ISO 1207 - M4, holes:  $\varnothing$  2.3 mm for self-tapping screws with locating groove ISO 1481- ST 2.9 - F/ ISO 4753 - SC
- Screw fixing vertically: holes:  $\varnothing$  2.3 mm for self-tapping screws with locating groove ISO 1481- ST 2.9 - F/ ISO 4753 - SC

T 140		 0.5 - 1.0 mm <sup>2</sup>	 18 AWG 0.5 - 1.0 mm <sup>2</sup>
-------	---	--	--

Document generated on: We, 8. February 2017 - 16:13