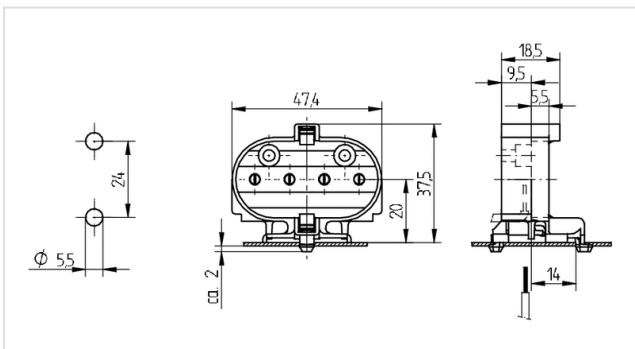





Technik für Licht  
Komponenten · Optik · Automation

## 26.726.4807

Compact Fluorescent Lampholders  
2G11




<b>Color:</b>	weiß
<b>FC:</b>	50
<b>Part no.:</b>	26.726.4807.50

  
0,5 - 1,0 mm<sup>2</sup>

  
U out  
500 V

  
T 140

  
  
0,6 - 1,0

## Description

- Holes: 5.5 mm
- 
- Mounting centres: 24 mm
- 
- For cable insertion direction please refer to drawing

<b>Short description:</b>	For lamps TC-L
<b>Product name:</b>	Lampholder 2G11
<b>LED type:</b>	2G11
<b>Farbe:</b>	white
<b>Mounting method 1:</b>	Push-in pins with wiring barrel foot
<b>Material:</b>	Housing: PBT
<b>cULus file no.:</b>	E-92235
<b>Weight:</b>	14
<b>Approval:</b>	additional cULus
<b>Material thickness:</b>	0.6 - 1.0
<b>Pkg.:</b>	250