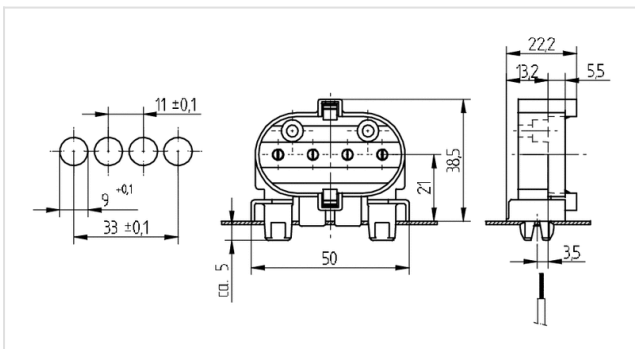





Technik für Licht
Komponenten · Optik · Automation

26.726.4804

Compact Fluorescent Lampholders
2G11




Color: weiß
FC: 50
Part no.: 26.726.4804.50


0,5 - 1,0 mm²


U out
500 V


T 140



0,6 - 1,0

Description

- For cable insertion direction please refer to drawing

Short description:	For lamps TC-L
Product name:	Lampholder 2G11
LED type:	2G11
Farbe:	white
Mounting method 1:	Push-in pins with wiring barrel foot
Material:	Housing: PBT
cULus file no.:	E-92235
Weight:	18
Approval:	additional cULus
Material thickness:	0.6 - 1.0
Pkg.:	250