

Lampholders for compact fluorescent lamps

26.725

G24 / GX24



pkg. wt.
250 14 g

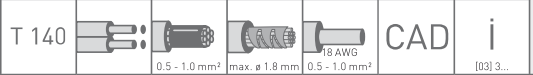
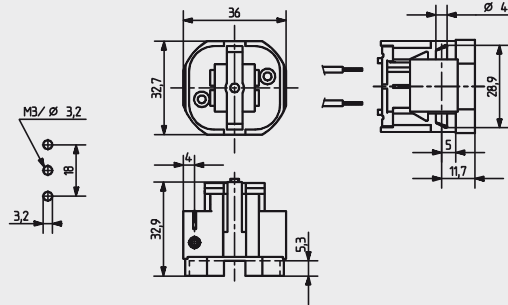
part no. Key:
26.725.2001.50 d-1 (10 / 13 Watt)
26.725.2002.50 d-2 (18 Watt)
26.725.2003.50 d-3 (26 / 32 Watt)

For lamps TC-D, TC-T, TC-DEL, TC-TEL
 Screw fixing vertical, central
 Housing: PBT

Approval: additional cULus (250 V)

- Screw fixing central, vertical: one hole \varnothing 3.2 mm and 2 anti rotation slots
- Panel cut-out: three holes $2 \times 9 = 18$ mm, for screws ISO 20 - M3
- Lampholders with pivote pins for use with support 26.920

Find accessories on page: [03] 36, [03] 37



pkg. wt.
250 14 g

part no. Key:
26.725.2004.50 q-1 (8 / 10 / 13 Watt) / q-5 (57 Watt)**
26.725.2005.50 q-2 (18 Watt) / q-6 (70 Watt)***
26.725.2006.50 q-3 (26 / 32 Watt)
26.725.2007.50 q-4 (42 Watt)
26.725.2008.50 q-3+q-4 (26 - 42 Watt)

**Key q-5 only when used with adaptor 26.725.-420

***Key q-6 only when used with adaptor 26.725.-420

For lamps TC-D, TC-T, TC-DEL, TC-TEL
 Screw fixing vertical, central
 Housing: PBT

Approval: additional cULus (250 V)

- Screw fixing central, vertical: one hole \varnothing 3.2 mm and 2 anti rotation slots
- Panel cut-out: three holes $2 \times 9 = 18$ mm, for screws ISO 20 - M3
- Lampholders with pivote pins for use with support 26.920

Find accessories on page: [03] 35, [03] 36, [03] 37

