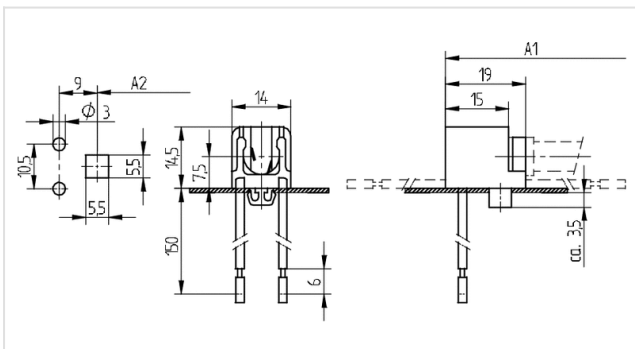




Technik für Licht
Komponenten · Optik · Automation

26.607.8102

Linear Fluorescent Lampholders: General Applications
W4.3 x 8.5d Push in lampholder



Color: weiß
FC: 50
Part no.: 26.607.8102.50

1 A
250 V

T 110


0,6 - 1,0

Description

- - Snap in mount (via square pin to prevent lampholder rotation)
-
- - UL-File: E-92235
-
-

Product name:	Lampholder W4.3 x 8.5d
LED type:	W4.3 x 8.5d
Farbe:	white
Mounting method 1:	Push-in pins with wiring barrel foot
Material:	Housing: PC
Weight:	9
Wires:	Cu, H 05 V2-K1 x 0,5, Isolation: PVC (105° C), Leitungslänge: 390 mm
lead length:	390 mm
Material thickness:	0.6 - 1.0
Pkg.:	500