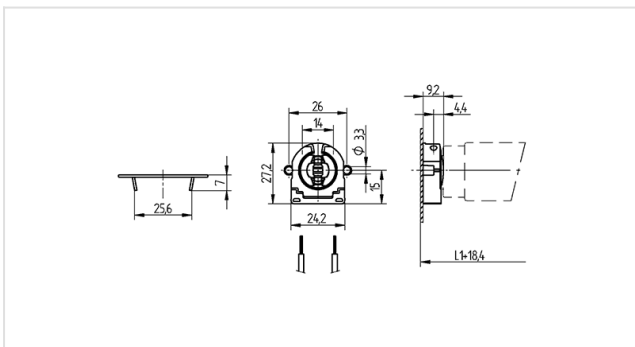





Technik für Licht
Komponenten · Optik · Automation

26.422.4409

Linear Fluorescent Lampholders: General Applications
G13 (Medium Bi-Pin): End Mount Lampholders



Color: weiß
FC: 50
Part no.: 26.422.4409.50


18 AWG
0,5 -1,0 mm²


U out
500 V



T 130

Tm 110



Description

Symbol value:	18 AWG 0.5 - 1.0 mm ²
Product name:	Fluorescent lampholder G13
Farbe:	white
Mounting method 1:	Snap-in mounting holes
Material:	Housing: PC Rotor: PBT
Rotor:	with
Body thickness:	9,2
Weight:	5
Front Test:	yes
Top Test:	yes
Wiring:	through the body
Pkg.:	500