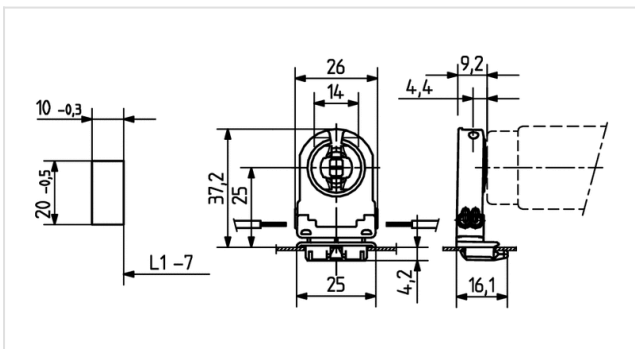




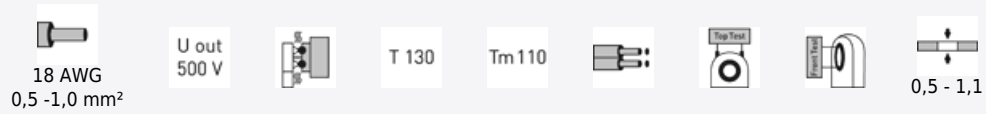
Technik für Licht  
Komponenten · Optik · Automation

## 26.308.1025

Linear Fluorescent Lampholders: General Applications  
G13 (Medium Bi-Pin): Push-In Lampholders



**Color:** weiß  
**FC:** 50  
**Part no.:** 26.308.1025.50



## Description

- With snap in foot and closed base, IP 40
- 
- A pair of lampholders provides a lamp length tolerance compensation of 3 mm

<b>Symbol value:</b>	18 AWG 0.5 - 1.0 mm <sup>2</sup>
<b>Product name:</b>	Fluorescent lampholder G13
<b>LED type:</b>	G13
<b>Farbe:</b>	white
<b>Mounting method 1:</b>	Snap-in foot 10 x 20 mm
<b>Material:</b>	Housing: PC Rotor: PBT
<b>Rotor:</b>	with
<b>cULus file no.:</b>	E-92235
<b>Weight:</b>	6
<b>Approval:</b>	cULus
<b>Front Test:</b>	yes
<b>Lamp center:</b>	25
<b>Material thickness:</b>	0.5 - 1.1
<b>Protection class according to IEC:</b>	IP 40
<b>T-Marking:</b>	130
<b>Top Test:</b>	yes
<b>Wiring:</b>	Side entry wiring
<b>Pkg.:</b>	500