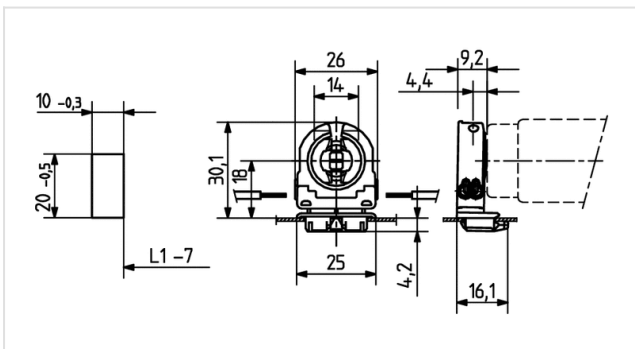





Technik für Licht
Komponenten · Optik · Automation

26.308.1018

Linear Fluorescent Lampholders: General Applications
G13 (Medium Bi-Pin): Push-In Lampholders



Color: weiß
FC: 50
Part no.: 26.308.1018.50


18 AWG
0,5 -1,0 mm²



T 130

Tm 110




0,5 - 1,1

Description

- With snap in foot and closed base, IP 40
-
- A pair of lampholders provides a lamp length tolerance compensation of 3 mm

Product name:	Fluorescent lampholder G13
LED type:	G13
Farbe:	white
Mounting method 1:	Snap-in foot 10 x 20 mm
Material:	Housing: PC Rotor: PBT
Rotor:	with
cULus file no.:	E-92235
Weight:	6
Approval:	cULus
Front Test:	yes
Lamp center:	18
Material thickness:	0.5 - 1.1
Protection class according to IEC:	IP 40
T-Marking:	130
Top Test:	yes
Wiring:	Side entry wiring
Pkg.:	500