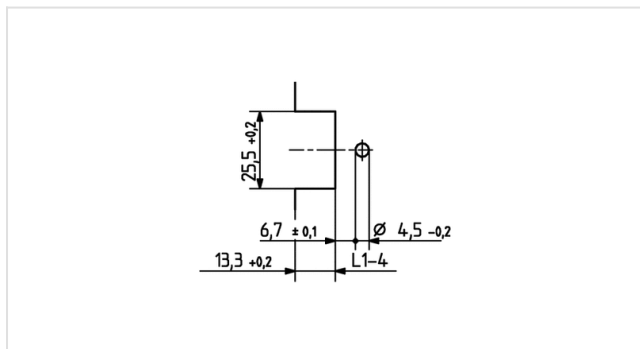
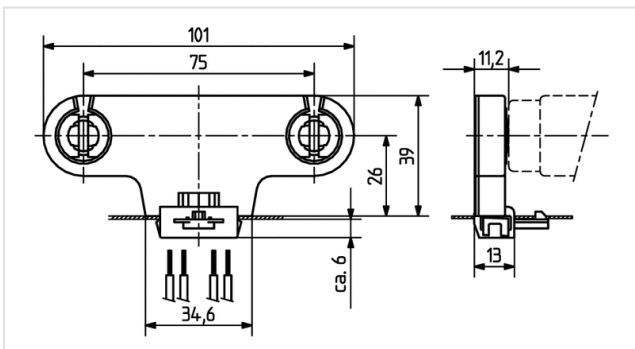




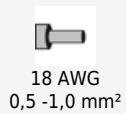
Technik für Licht  
Komponenten · Optik · Automation

## 26.301.1002

Linear Fluorescent Lampholders: General Applications  
G13 (Medium Bi-Pin): Push-in Lampholders



**Color:** weiß  
**FC:** 50  
**Part no.:** 26.301.1002.50



## Description

- - Lampholder with locating pin intended for open-backed cutouts.
- 
- 
- - A pair of lampholders provides a total lamp length tolerance compensation of 3 mm
- 
- The pre-wired lampholder can then be enclosed within the luminaire for minimum packaging volume and maximum shipping protection.

<b>Product name:</b>	Fluorescent lampholder G13
<b>LED type:</b>	G13
<b>Color:</b>	white
<b>Mounting method 1:</b>	Snap-in foot 13.3 x 25.5 mm
<b>Material:</b>	Housing: PC Rotor: PBT
<b>Weight:</b>	18
<b>Locating pin:</b>	yes
<b>Lamp center:</b>	26
<b>Material thickness:</b>	0.5 - 1.0
<b>T-Marking:</b>	130
<b>Wiring:</b>	through the body
<b>Pkg.:</b>	200