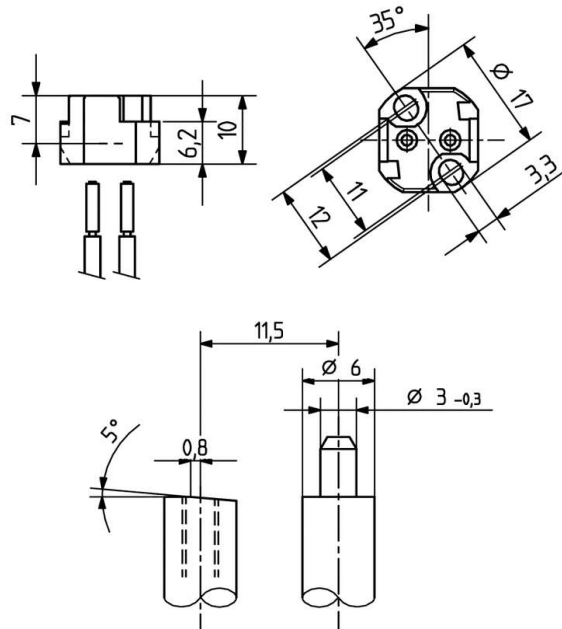
 Create pdf

Lampholders for low voltage halogen lamps

25.246.2001

GY6.35 / Connector GX5.3



Recommended application

pkg.	wt.	part no.
500	4 g	25.246.2001.00

Approval: additional cURus (250° C)



Snap in fixing

Schraubbefestigung

Housing: Ceramic

Contacts: CuNi - CrNi

- Wires permanently joined after insertion

T250			5 A 50 V
max. ø 1.8 mm			

Document generated on: Th, 9. February 2017 - 15:46