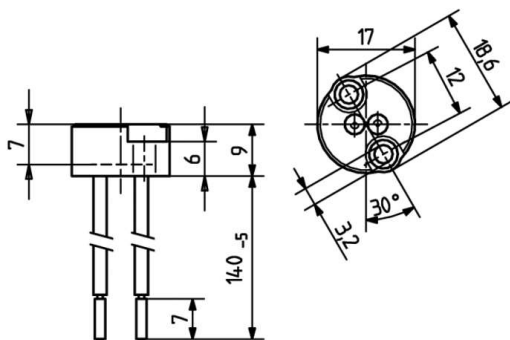


 Create pdf

## Lampholders for low voltage halogen lamps

25.104.3521

G4 / Connector GZ4



colour	pkg.	wt.	part no.
anthracite	500	8 g	25.104.3521.90

Connection: Rear cable entry

Wires: Cu, tin-plated, 0.75 mm<sup>2</sup>, with ferrule,  
 Insulation: Silicone (max. 180° C), Free cable  
 length: 140 mm

Screw fixing

Housing: Ceramic / PPS

Contacts: Ni

- The method of wiring must be such that no stress or bending motions will be transferred to the contacts, thus reducing the contact / pressure on the lamp pins.
- Other versions on request.

T 240	10 A 50 V
-------	--------------

Document generated on: Th, 9. February 2017 - 15:24