

## fd dmx 4-48 350

350mA RGBW DMX LED dimmer

Digital RGBW LED dimmer with four 350mA constant current outputs for smooth control, especially in lower dimming range.



### Properties

- Robust constant current dimmer for LED modules without own current limiter
- Protected against short-circuit and overtemperature
- Smooth dimming control even in the lowest range
- Dimming curve matched to eye sensitivity
- Digital control with DMX control devices
- Start channel easily adjustable via rotary switch
- PCB construction for integration in lighting systems

### Ordering Information

Product name	fd dmx 4-48 350
Item number	0000 4360

### Available Versions



fd dmx 4-48 500



fd dmx 4-48 700



fd dmx 4-48 1000

### Combinable with the following feno products



fc s.dmx 48u

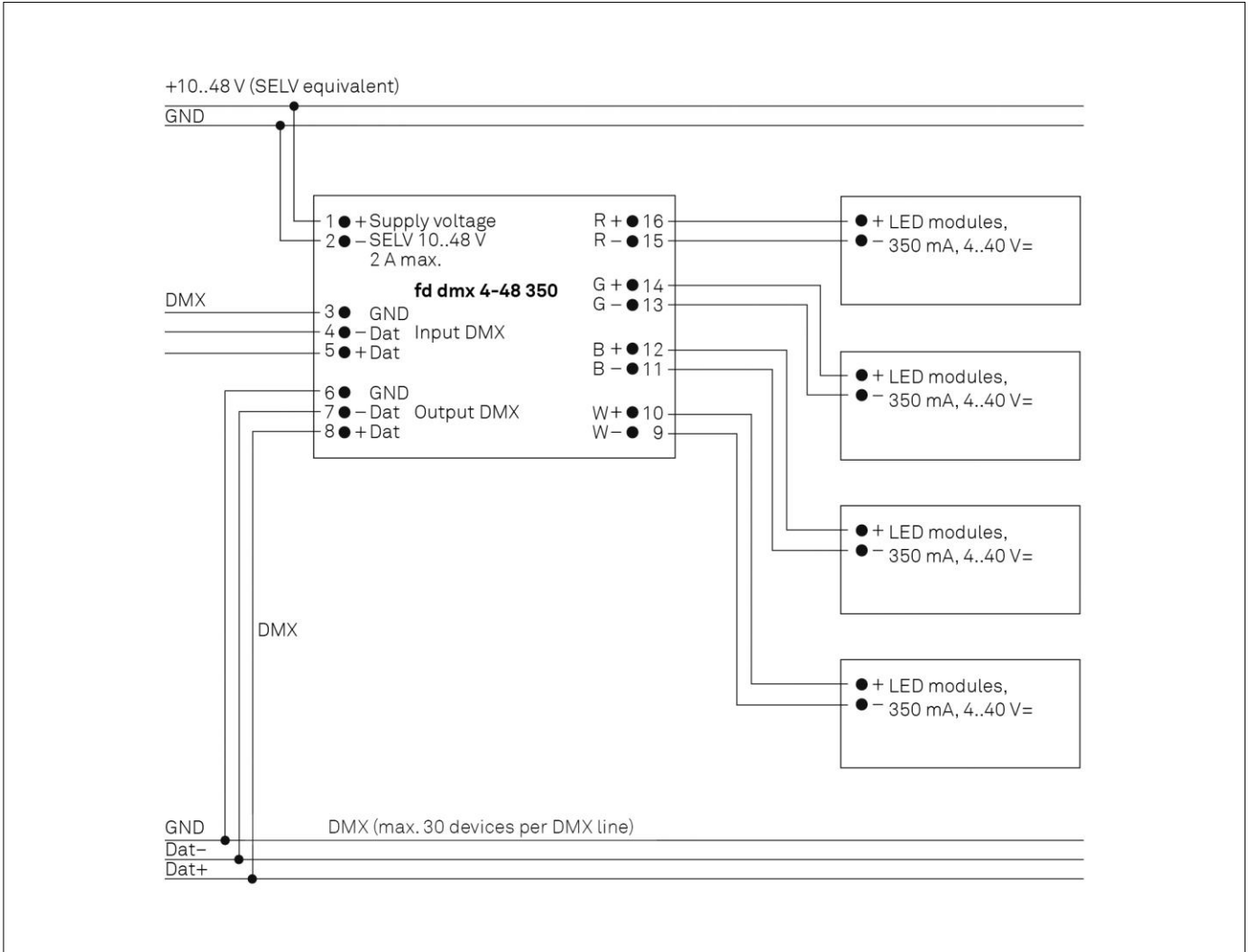


fe spot 1630 w

## fd dmx 4-48 350

350mA RGBW DMX LED dimmer

### Wiring Diagram



### Technical Details

Supply voltage	10..48 V DC (SELV)
Power consumption	2 A max.
Control inputs	1
Control signal	DMX
Operating mode	Constant current
Outputs	4
Dimming frequency / internal	240 Hz/16 Bit
Output voltage	4..40 V DC
Output load	4 x 350 mA
Outputs short circuit proof	yes
Ambient temperature	-20..45 °C
Dimensions (L/W/H)	145 x 30 x 15 mm
Weight	50 g

### Additional Information

- The output voltage must be between 33 and 85% of the supply voltage

### Standards

EN 61347-1  
 EN 61347-2-11  
 EN 61347-2-13  
 EN 55015  
 EN 61547  
 EN 61000-3-2  
 EN 61000-3-3