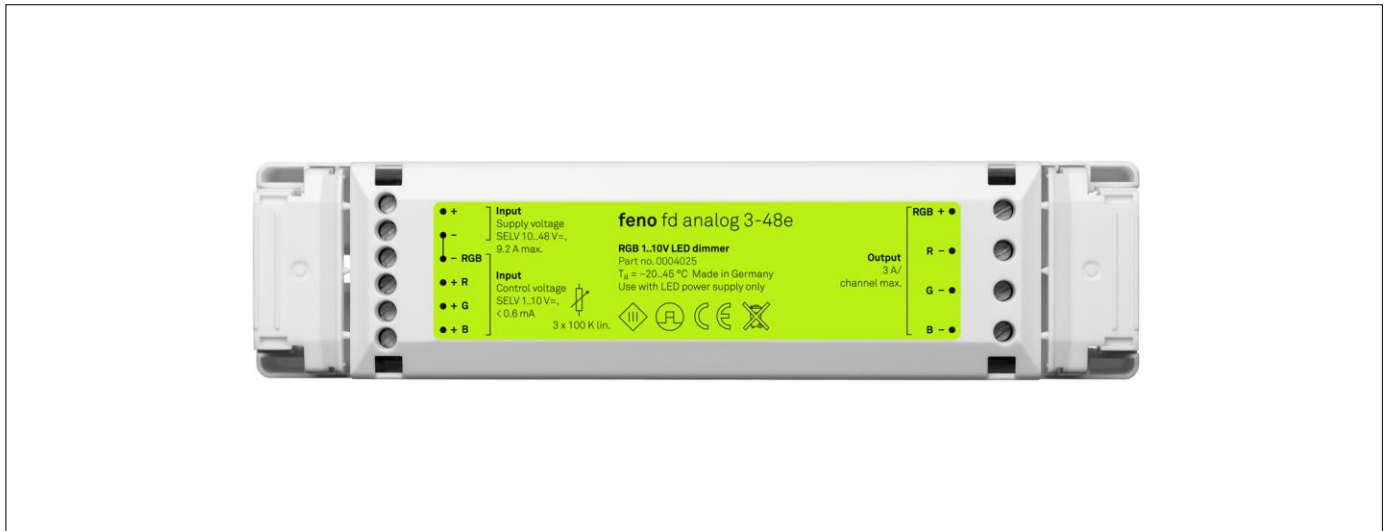


fd analog 3-48e

RGB 1..10V LED dimmer

RGB LED dimmer with three 3A constant voltage outputs for smooth control, especially in lower dimming range.



Properties

- Robust constant voltage dimmer with high current capacity
- Protected against short-circuit and overtemperature
- Smooth dimming control even in the lowest range
- Dimming curve matched to eye sensitivity
- Control with potentiometer or 1..10V control devices
- Plastic housing construction with cable grip

Ordering Information

Product name	fd analog 3-48e
Item number	0000 4025

Available Versions



fd analog 1-48e

Combinable with the following feno products

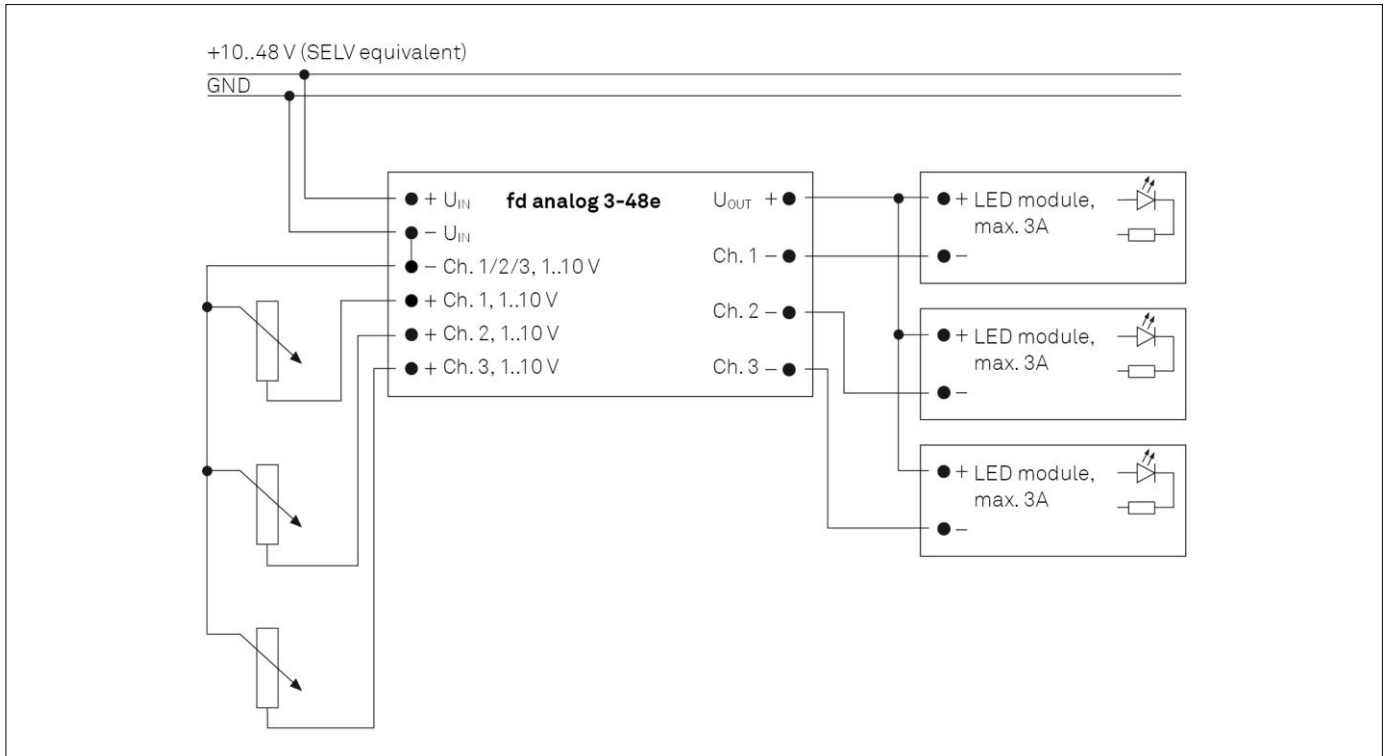


fd booster 3-48e

fd analog 3-48e

RGB 1..10V LED dimmer

Wiring Diagram



Technical Details

Supply voltage	10..48 V DC (SELV)
Power consumption	9,2 A max.
Control inputs	3
Control signal	1..10 V
Operating mode	Constant voltage
Outputs	3
Dimming frequency / internal	240 Hz/16 Bit
Output voltage	10..48 V DC
Output load	3 x 3 A
Outputs short circuit proof	yes
Ambient temperature	-20..45 °C
Dimensions (L/W/H)	167 x 42 x 31 mm
Weight	90 g

Additional Information

- Controllable with potentiometer (100k lin.)

Standards

EN 61347-1
 EN 61347-2-11
 EN 61347-2-13
 EN 55015
 EN 61547
 EN 61000-3-2
 EN 61000-3-3