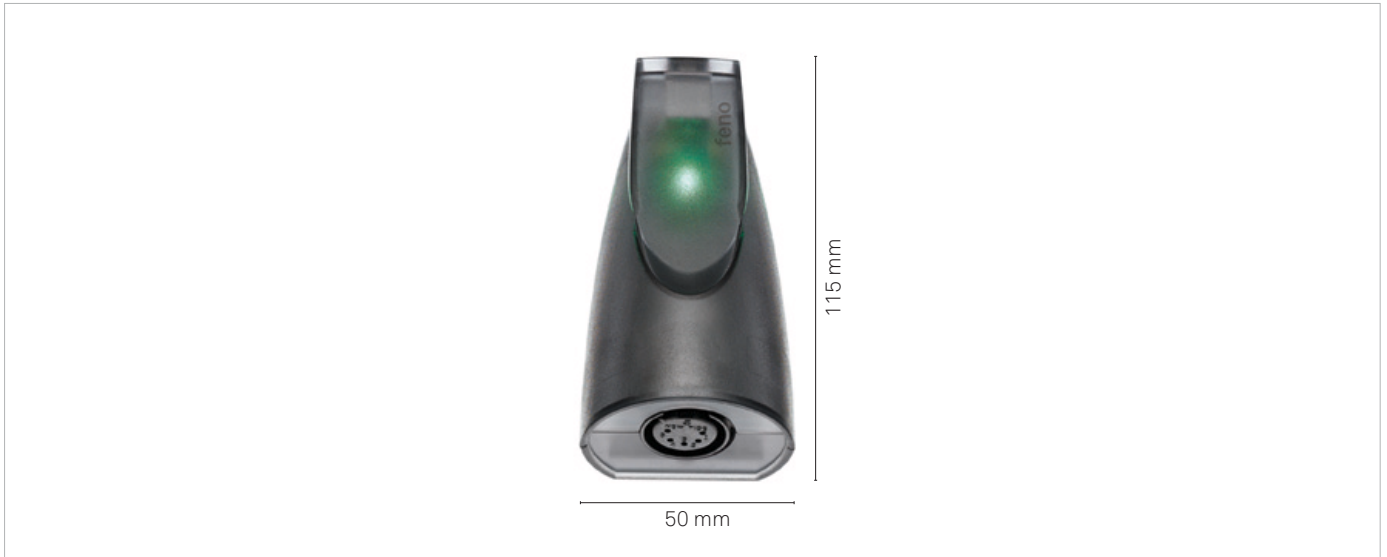


## fc dmx 512u

### USB to DMX interface

Like other DMX controllers, the **fc dmx 512u** acts as a controller for an existing DMX system.



#### Properties

It operates without a memory function, but is connected at all times to a computer. It is ideal for checking, commissioning or (re-)addressing DMX receivers such as fm s.line 101 rgb. All 512 channels of the DMX protocol can be accessed with one device. With a USB port for the computer and 5-pin XLR socket for any DMX receiver the fc dmx 512u is the ideal interface between a computer and lighting system. The controller can be operated with our DMX and commissioning software. We can provide drivers so that developers can write their own programs.

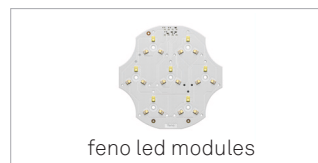
#### Ordering data

Product name	fc dmx 512u
Item number	00000432

#### Available versions



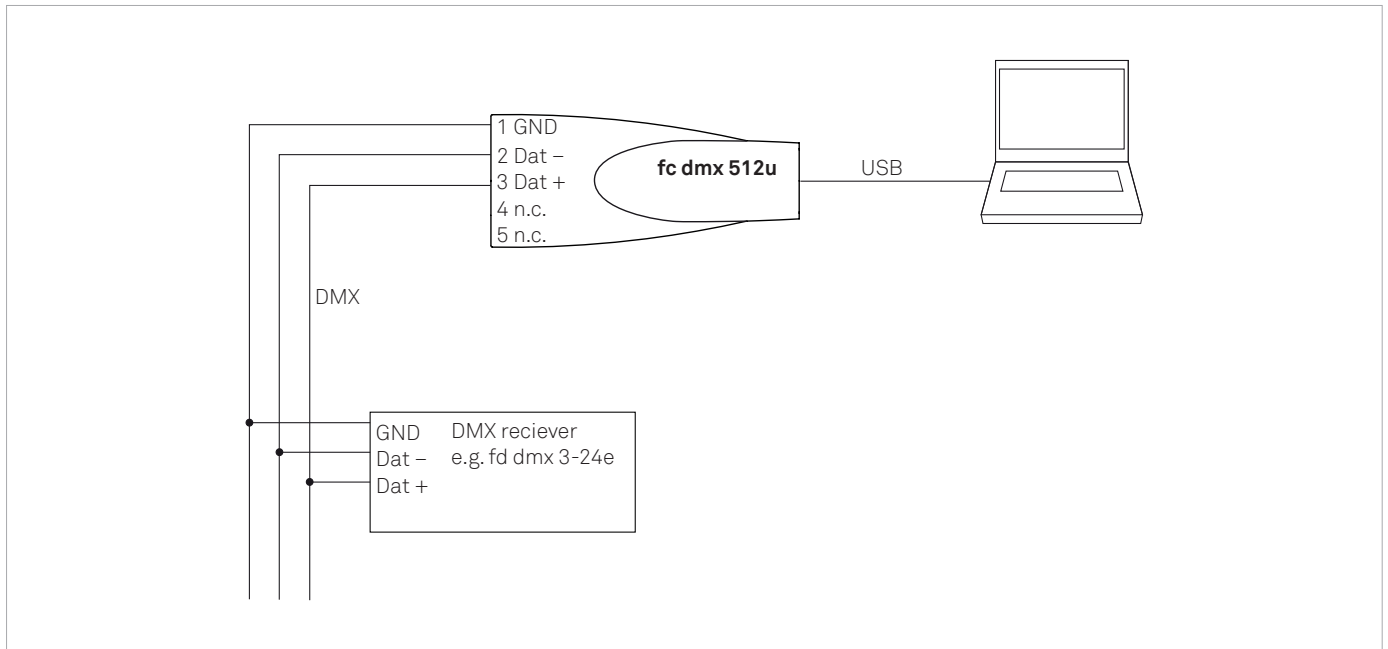
#### Combinable with products of the following categories



## fc dmx 512u

### USB to DMX interface

#### Wiring Diagram



#### Technical Details

<b>Light programs</b>	any (via PC)
<b>Programming interface</b>	USB
<b>Number of outputs</b>	1
<b>Number of control channels</b>	512
<b>Output signal</b>	DMX
<b>Short-circuit-proof outputs</b>	yes
<b>Temperature range</b>	-20..45 °C
<b>Dimensions (L/B/H)</b>	115 x 50 x 38 mm
<b>Weight</b>	60 g

#### Additional Information

feno control software can be downloaded at [www.feno.com](http://www.feno.com).